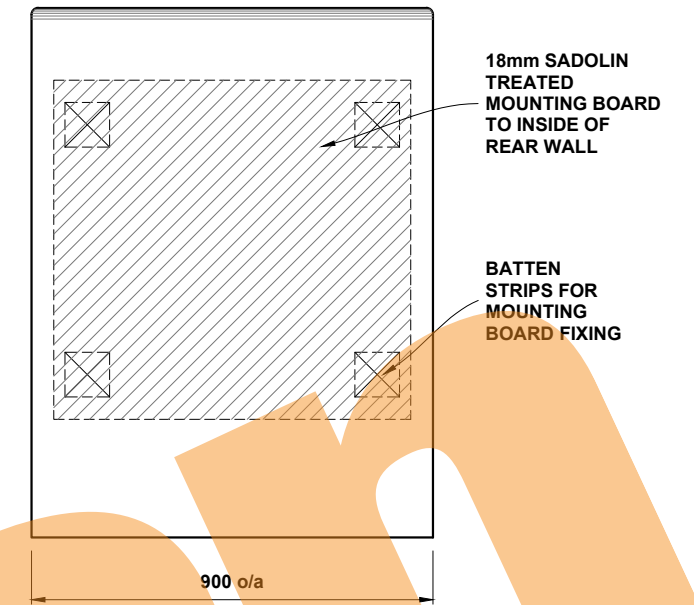
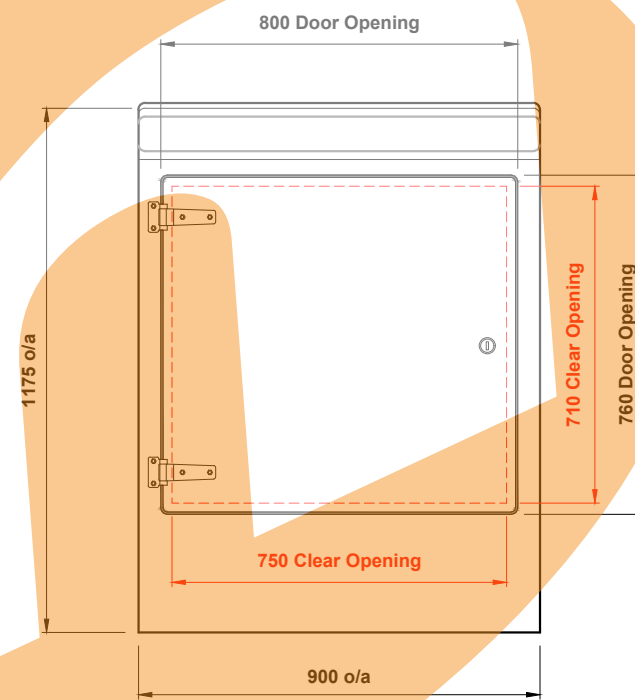
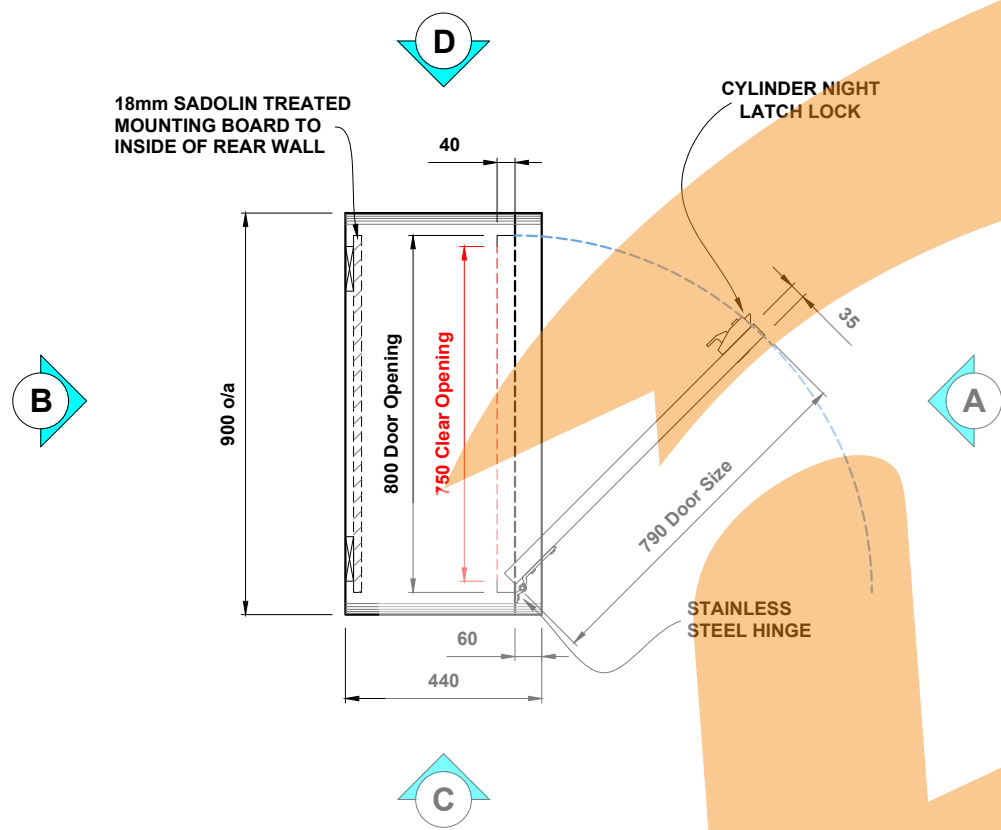


**Plan View Elevation - Roadside Range Type R**

**Elevation (A) (front)**

**Elevation (B) (rear)**

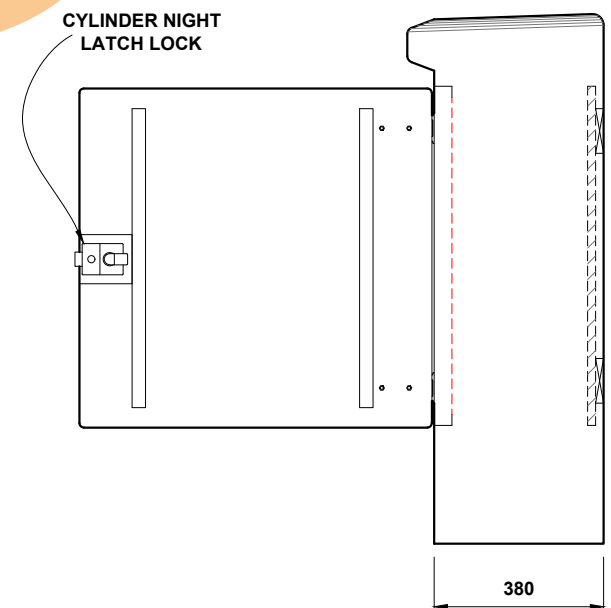
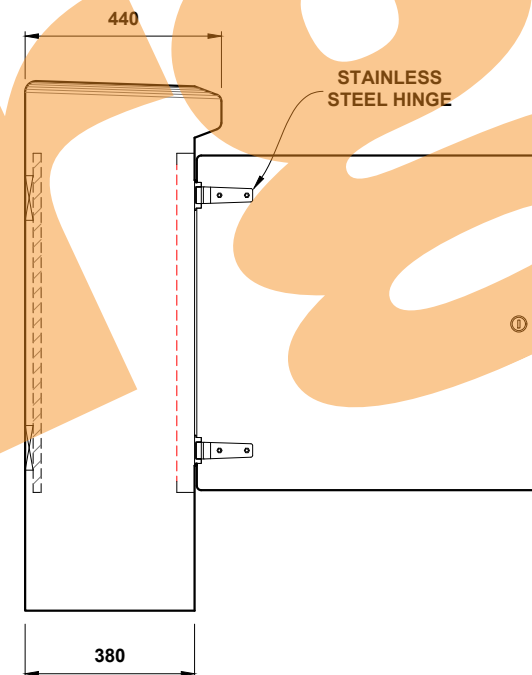
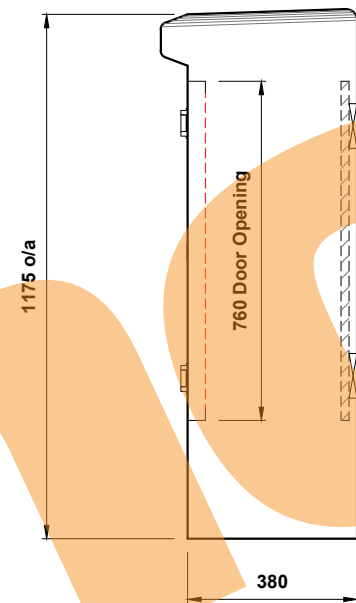
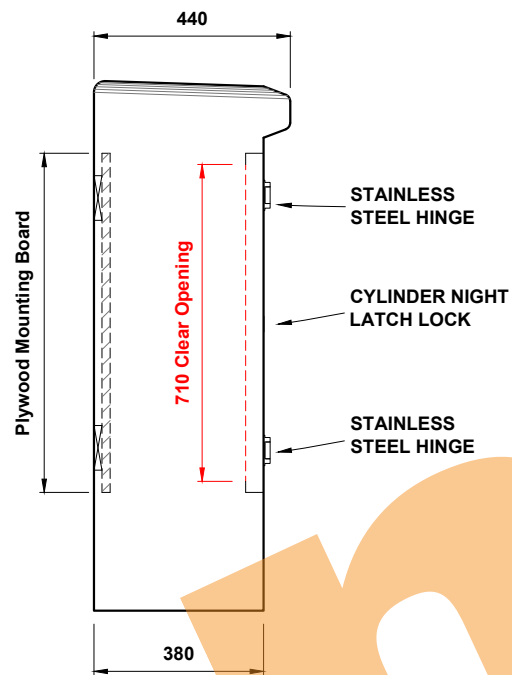


**Elevation (C) (l/h side)**

**Elevation (D) (r/h side)**

**Elevation (C) (l/h side) Door Open**

**Elevation (D) (r/h side) Door Open**



THE DRAWING AND DESIGN IS THE PROPERTY OF MORGAN MARINE LTD. AND WITHOUT THE WRITTEN CONSENT OF MORGAN MARINE LTD. MAY NOT BE COPIED IN WHOLE OR IN PART OR COMMUNICATED TO A THIRD PARTY OR USED FOR ANY PURPOSE.

**Morgan Marine Limited**  
 Tel : 01269 850437  
 Fax : 01269 850656  
 Llandybie, Ammanford, Carmarthenshire  
 SA18 3GY, South Wales.

INTERNAL WIDTH : 890mm

APPROX. WEIGHT : 50kg

GRP HOUSING : ROADSIDE RANGE TYPE R

INTERNAL DEPTH : 280mm

Date : 06/03/2017

Drawing Scale : Not To Scale

INTERNAL HEIGHT : 1135mm

Drawn By : D O'Malley

Drawing No : TYPE R

Rev :