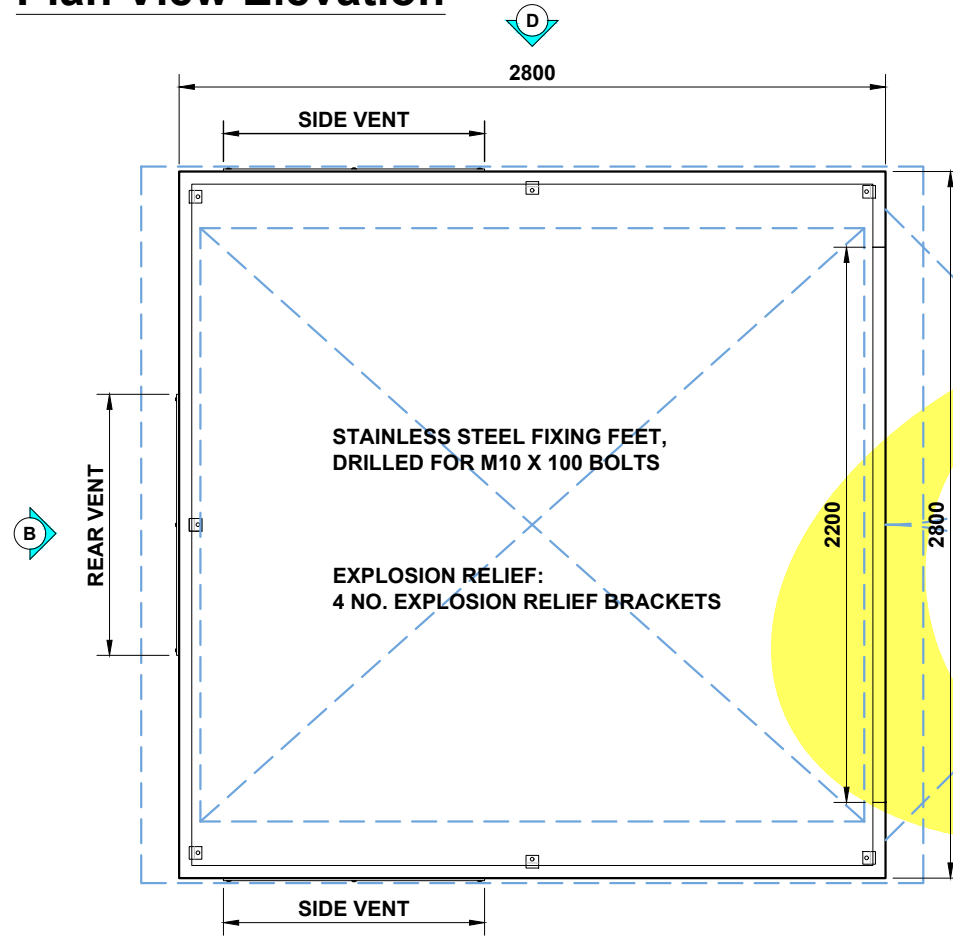


**Plan View Elevation**



**Elevation (A) (front)**

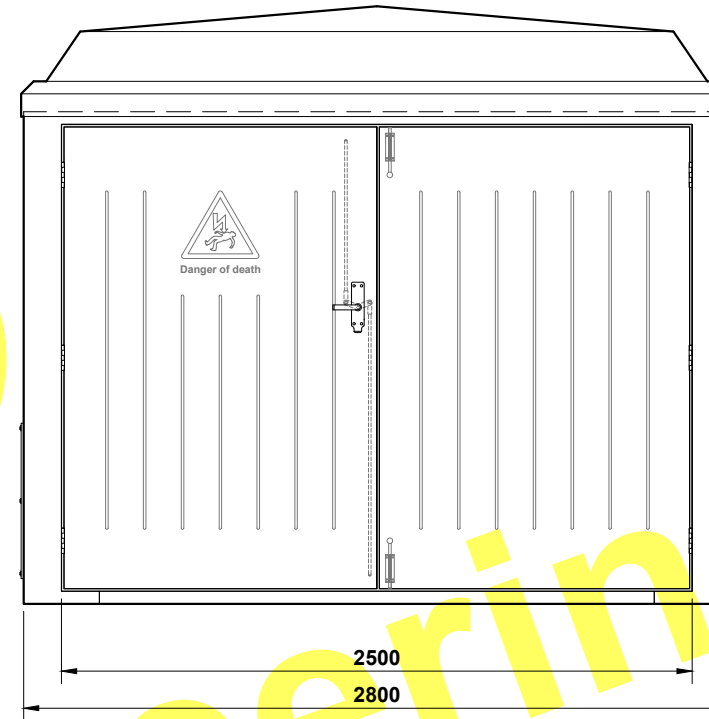
10/10 DOOR STAYS.  
DANGER OF DEATH DOOR MOULD

STAINLESS STEEL HINGES

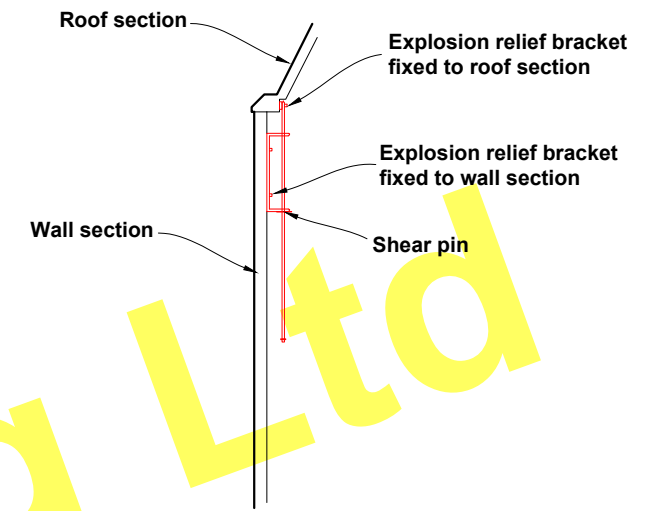
STAINLESS STEEL ESPAGNOLETTE LATCH FOR PADLOCK

SHOOT BOLTS

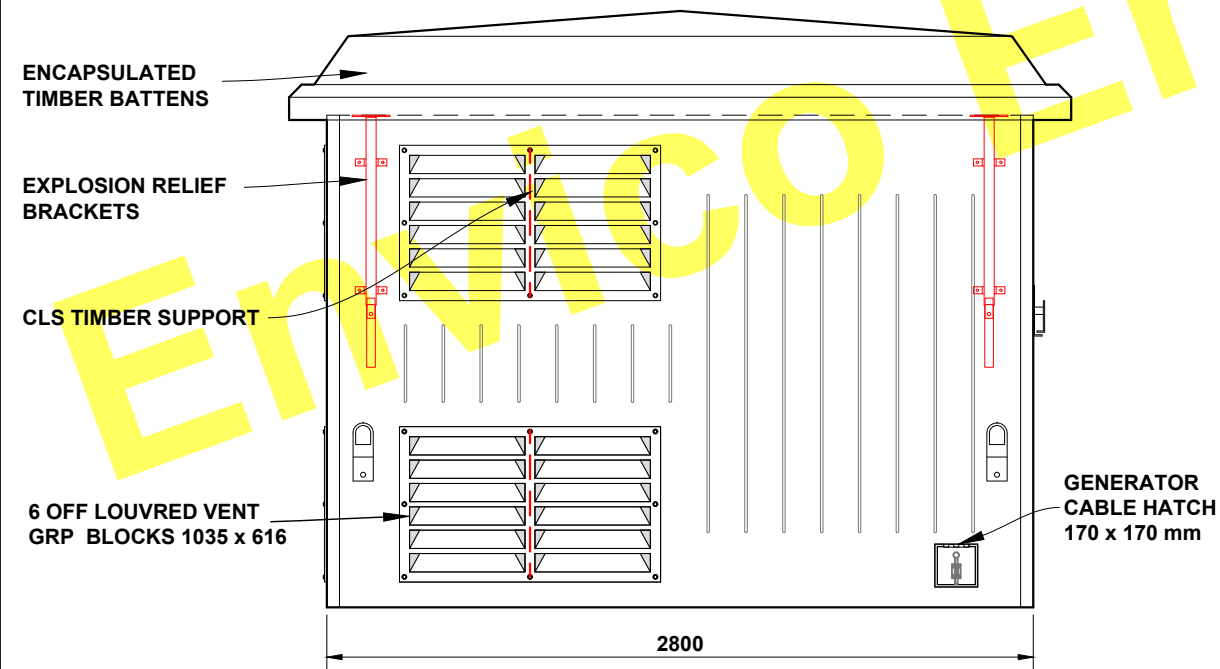
REMOVABLE PLINTH BAR



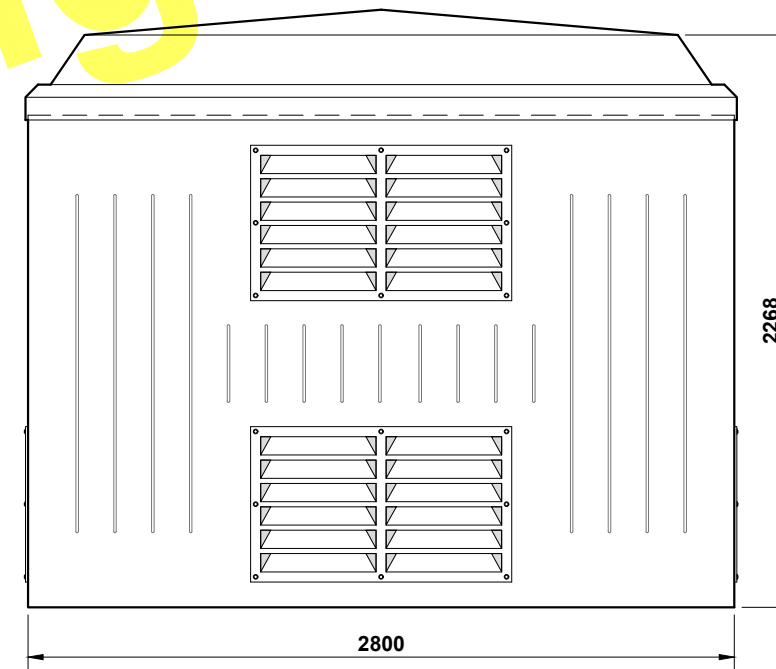
**Roof Fixing Detail**



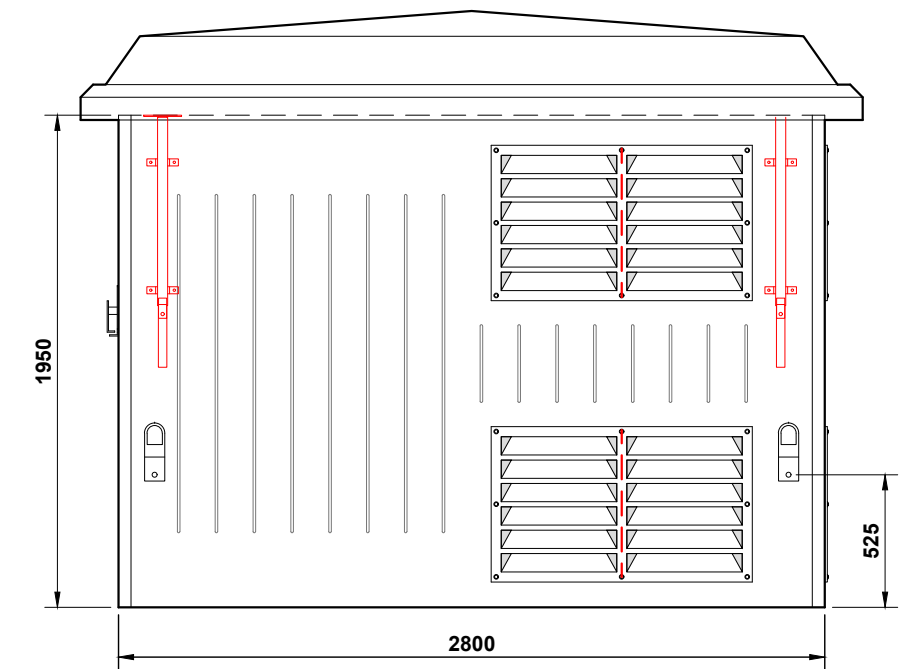
**Elevation (C) (l/h side)**



**Elevation (B) (rear)**



**Elevation (D) (r/h side)**



THE DRAWING AND DESIGN IS THE PROPERTY OF ENVICO ENGINEERING LTD. AND WITHOUT THE WRITTEN CONSENT OF ENVICO ENGINEERING LTD. MAY NOT BE COPIED IN WHOLE OR IN PART OR COMMUNICATED TO A THIRD PARTY OR USED FOR ANY PURPOSE.

**Envico Engineering Limited**

Tel : 01792 794 619  
Fax : 01792 793 532

Nantyffin Road (South), Enterprise park, Llansamlet  
Swansea, SA7 9RG, South Wales.

INTERNAL WIDTH : 2690mm

INTERNAL DEPTH : 2690mm

INTERNAL HEIGHT : 2250mm

APPROX. WEIGHT : 500kg

Date : 27/11/2018

Drawn By : D O'Malley

GRP HOUSING

Drawing Scale : Not To Scale

Drawing No : TR7 EXV UKPN

Rev :