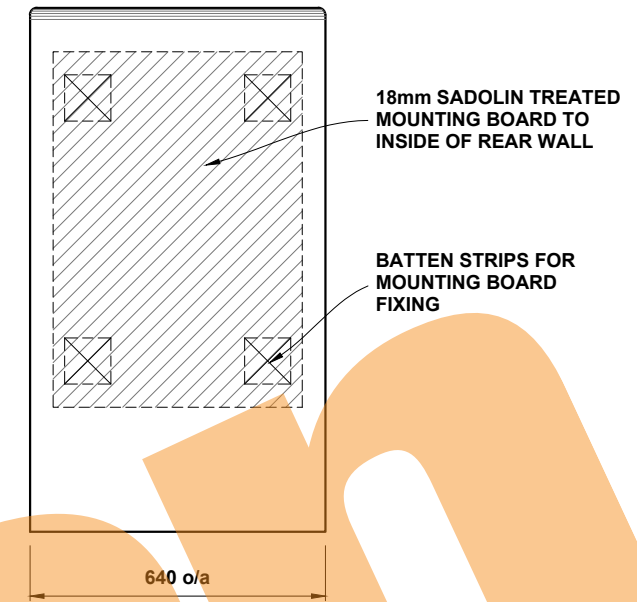
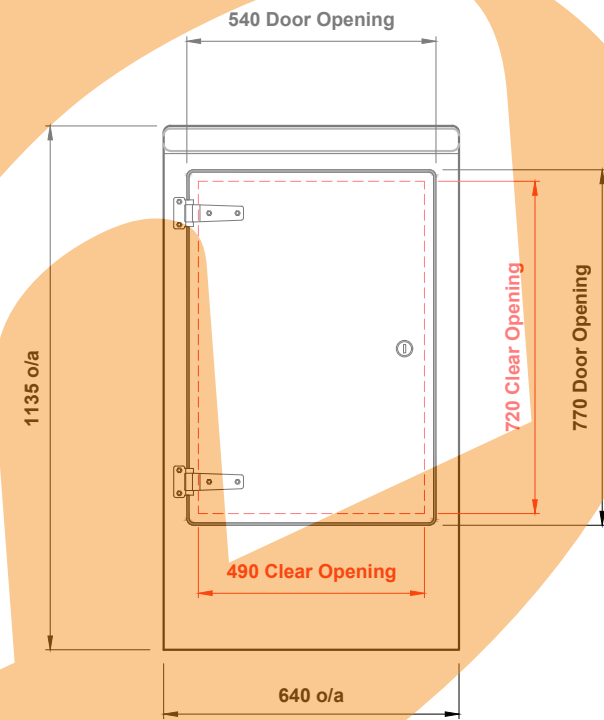
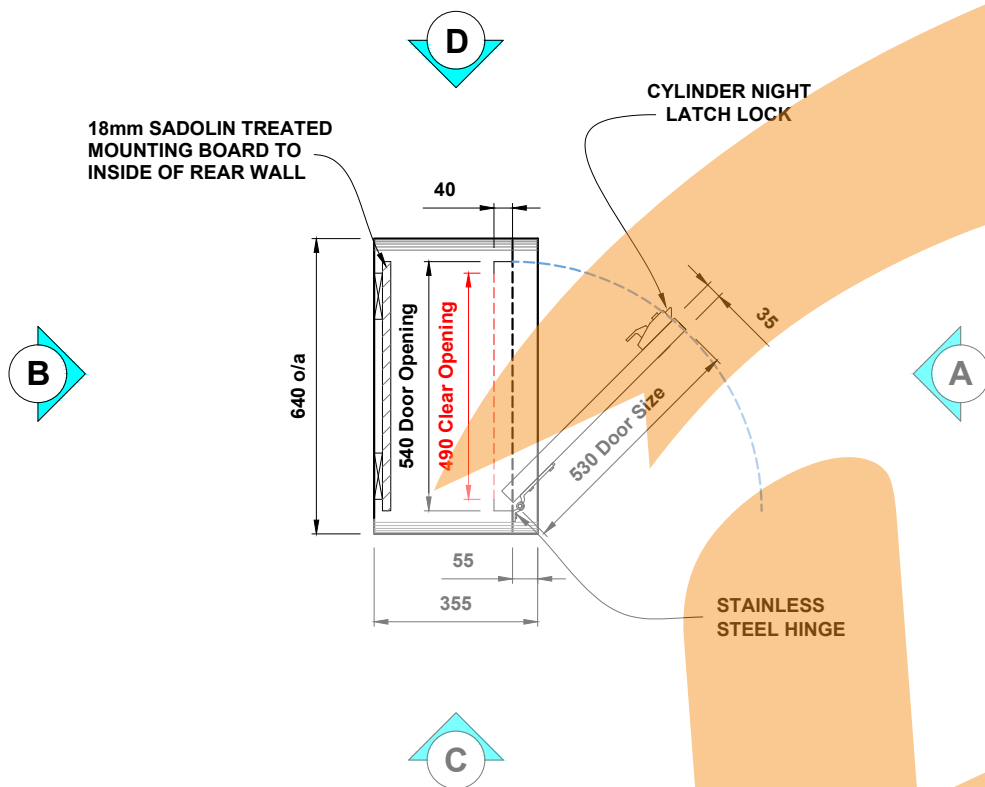


Plan View Elevation - Roadside Range Torbay

Elevation (A) (front)

Elevation (B) (rear)

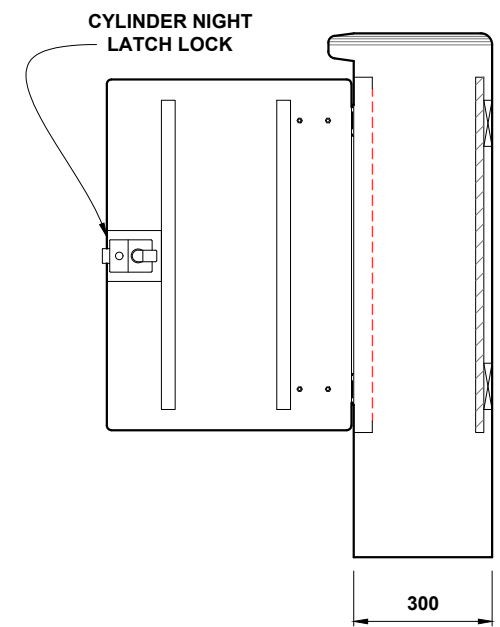
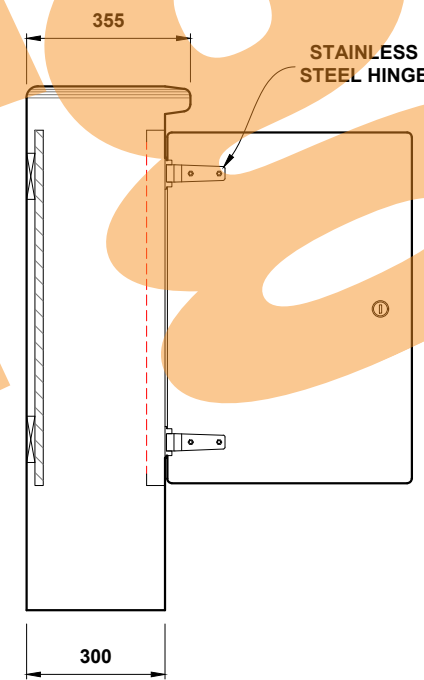
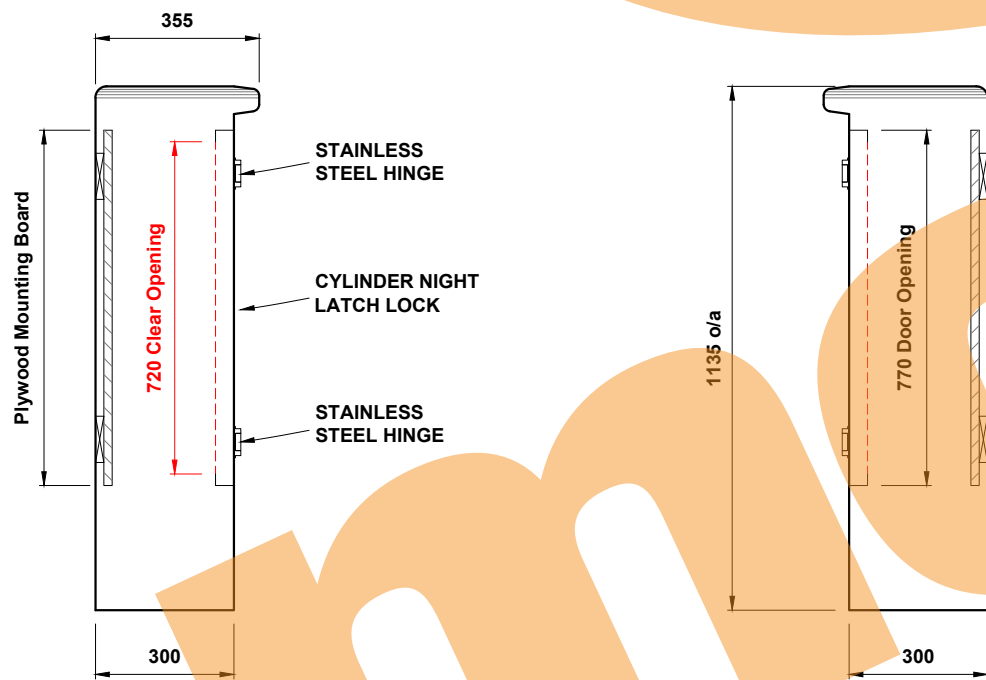


Elevation (C) (l/h side)

Elevation (D) (r/h side)

Elevation (C) (l/h side) Door Open

Elevation (D) (r/h side) Door Open



Morgan
morgan Marine Ltd

THE DRAWING AND DESIGN IS THE PROPERTY OF MORGAN MARINE LTD. AND WITHOUT THE WRITTEN CONSENT OF MORGAN MARINE LTD. MAY NOT BE COPIED IN WHOLE OR IN PART OR COMMUNICATED TO A THIRD PARTY OR USED FOR ANY PURPOSE.

Morgan Marine Limited
Tel : 01269 850437
Fax : 01269 850656
Llandybie, Ammanford, Carmarthenshire
SA18 3GY, South Wales.

INTERNAL WIDTH : 630mm	APPROX. WEIGHT : 22kg	GRP HOUSING : ROADSIDE RANGE TORBAY	
INTERNAL DEPTH : 250mm	Date : 06/03/2017	Drawing Scale : Not To Scale	
INTERNAL HEIGHT : 1095mm	Drawn By : D O'Malley	Drawing No : TORBAY	Rev :