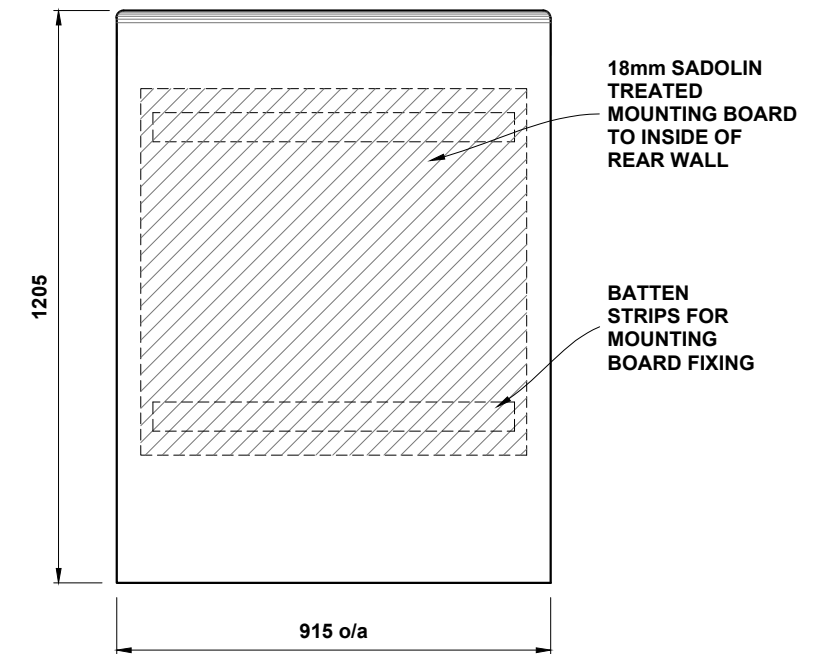
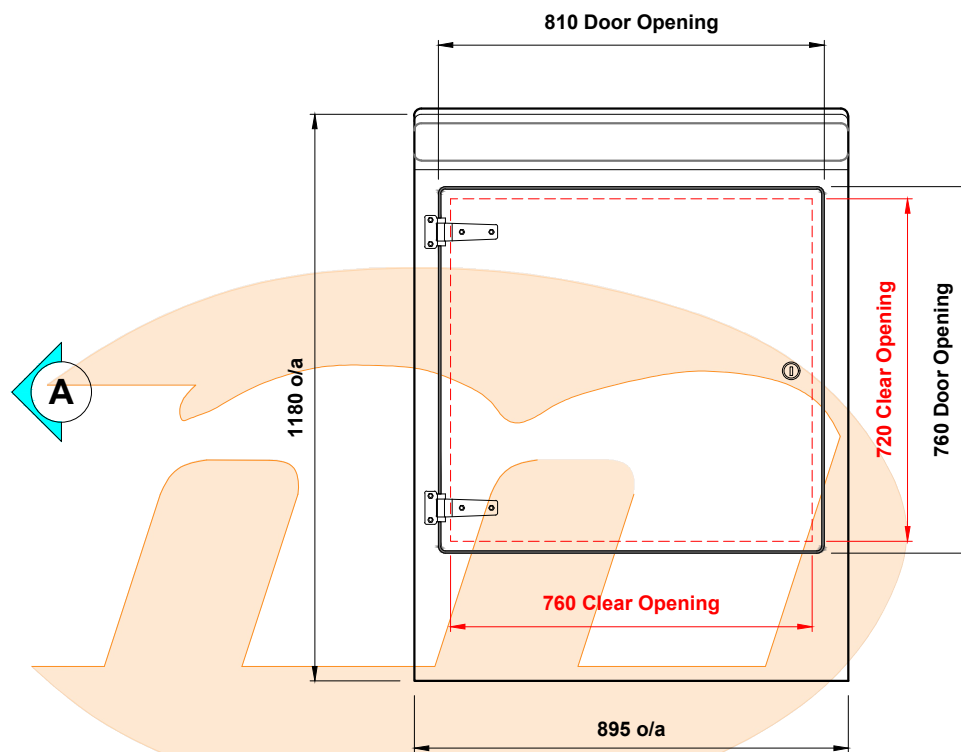
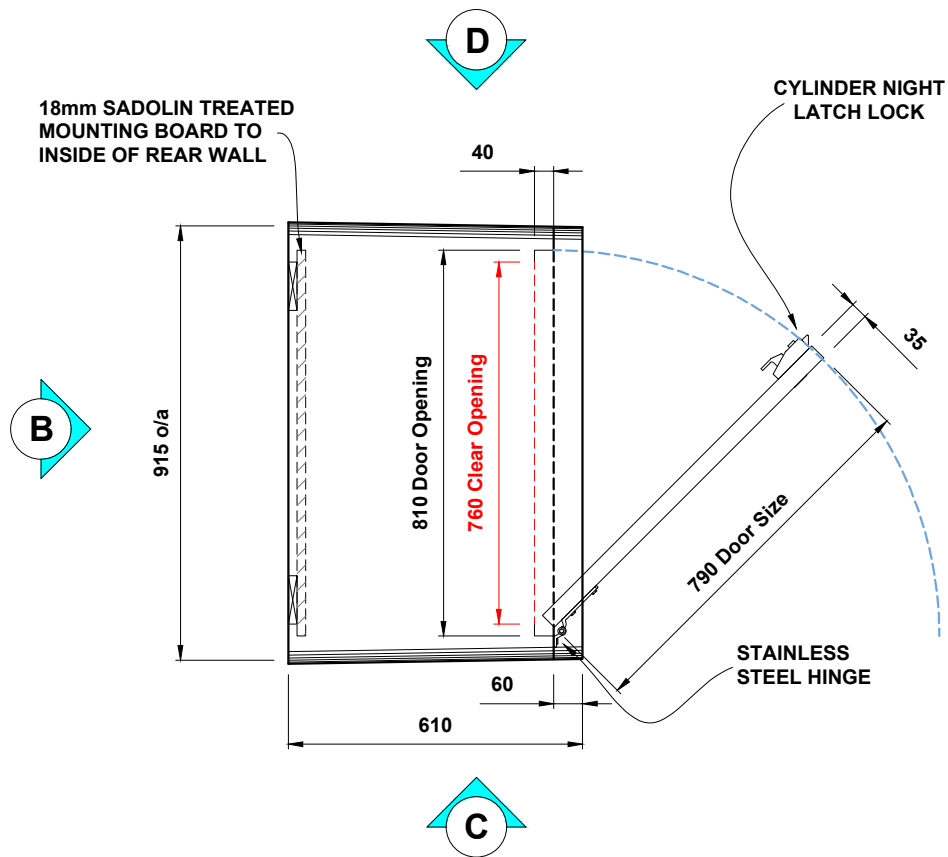


Plan View Elevation - Roadside Range Type S

Elevation (A) (front)

Elevation (B) (rear)

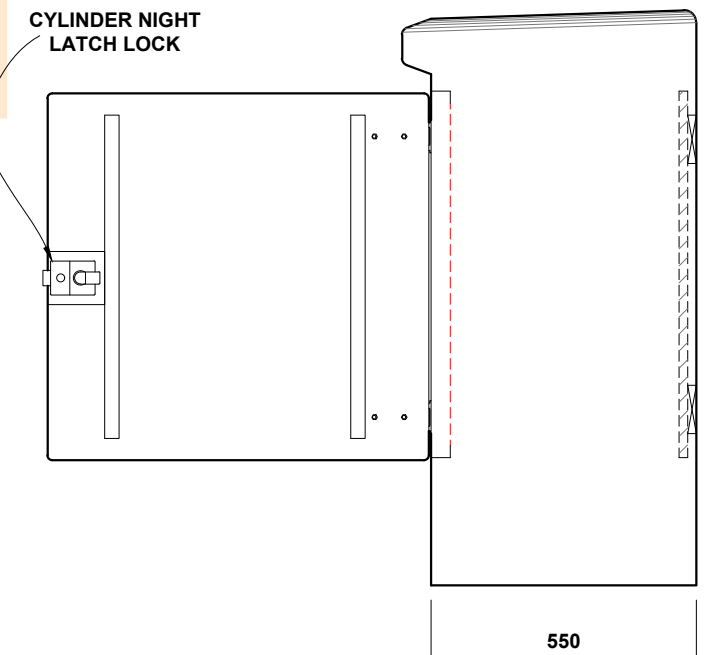
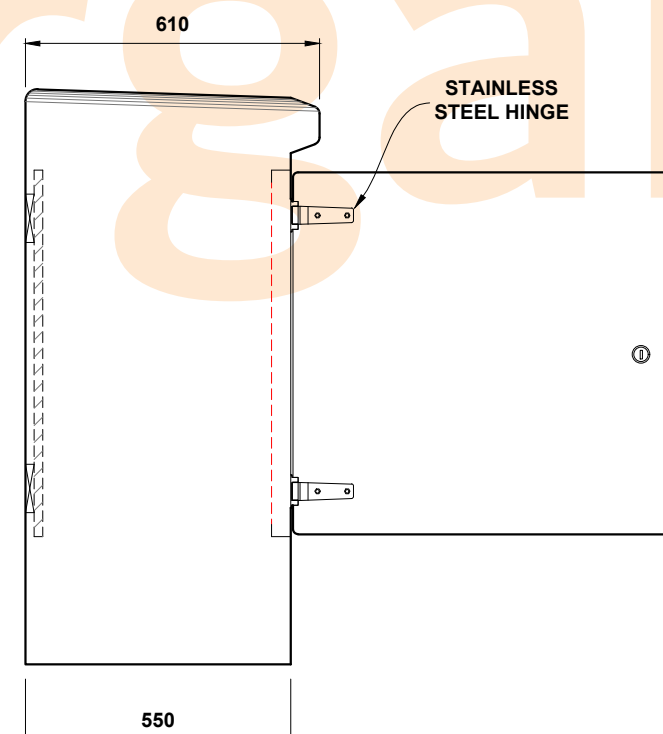
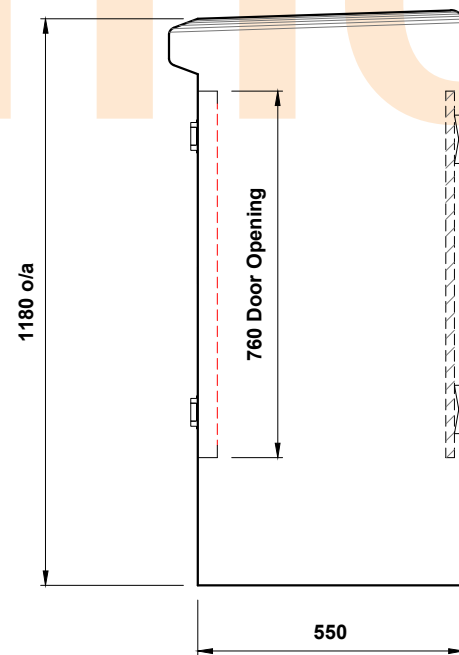
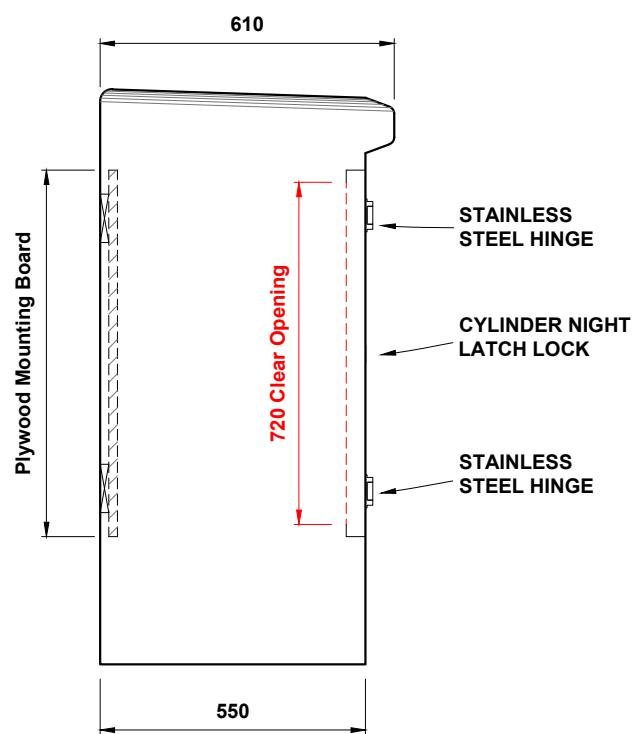


Elevation (C) (l/h side)

Elevation (D) (r/h side)

Elevation (C) (l/h side) Door Open

Elevation (D) (r/h side) Door Open



Morgan Marine Limited
 Tel : 01269 850437
 Cilrychen Industrial Estate, Llandybie,
 Ammanford, SA18 3GY

INTERNAL WIDTH : 890mm

APPROX. WEIGHT : 50kg

GRP HOUSING : ROADSIDE RANGE TYPE S

INTERNAL DEPTH : 500mm

Date : 14/05/2021

Drawing Scale : Not To Scale

INTERNAL HEIGHT : 1135mm

Drawn By : D O'Malley

Drawing No : TYPE S

Rev :