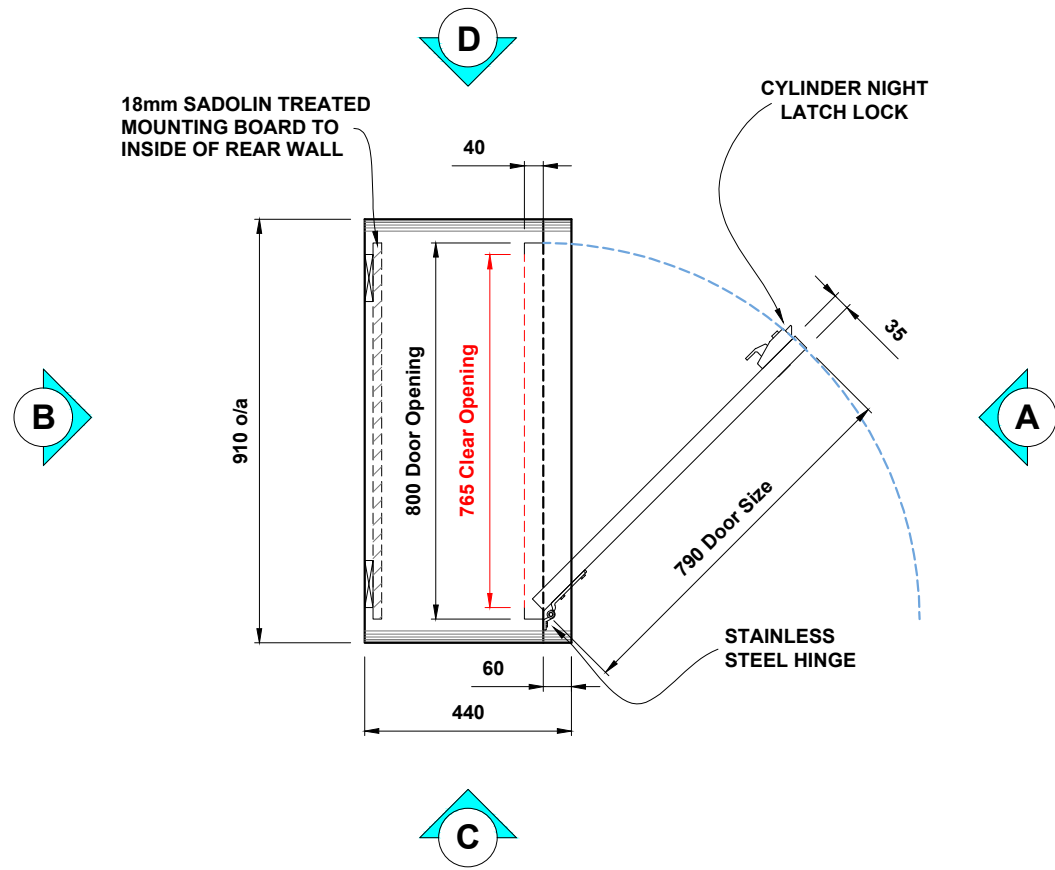
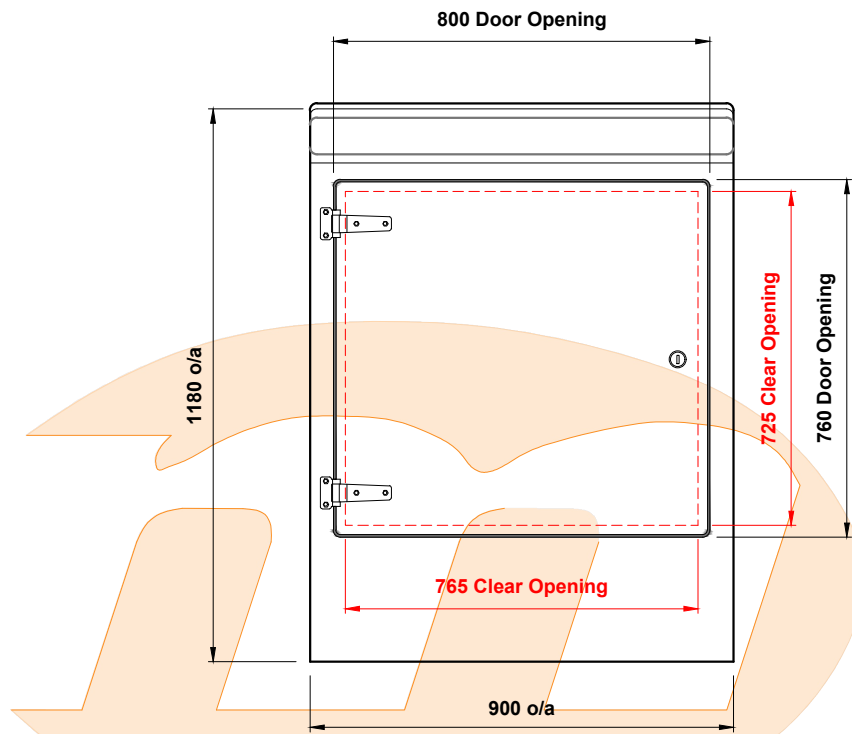


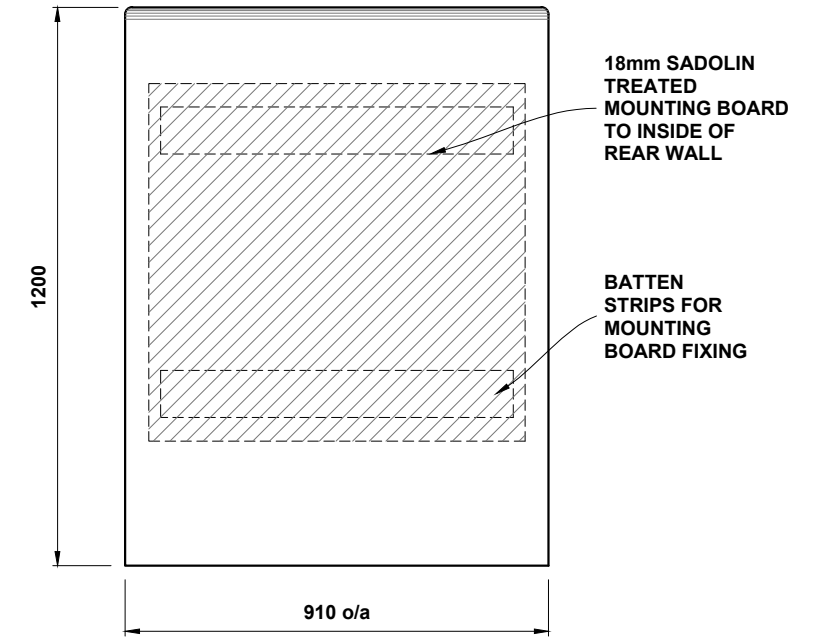
Plan View Elevation - Roadside Range Type R



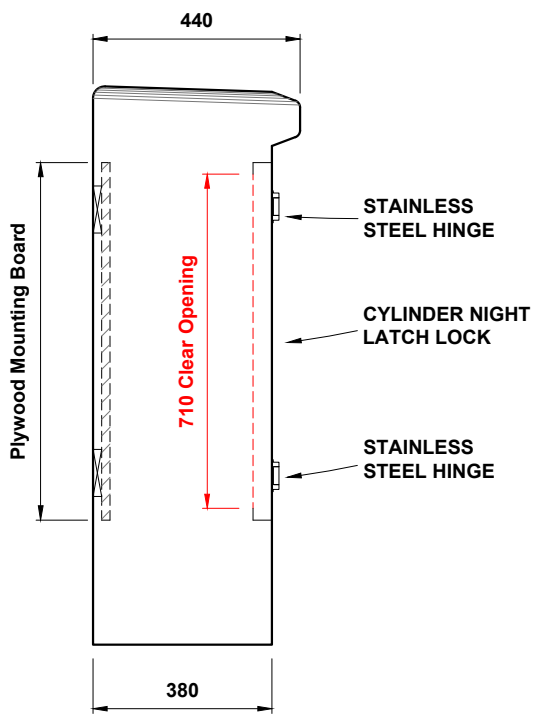
Elevation (A) (front)



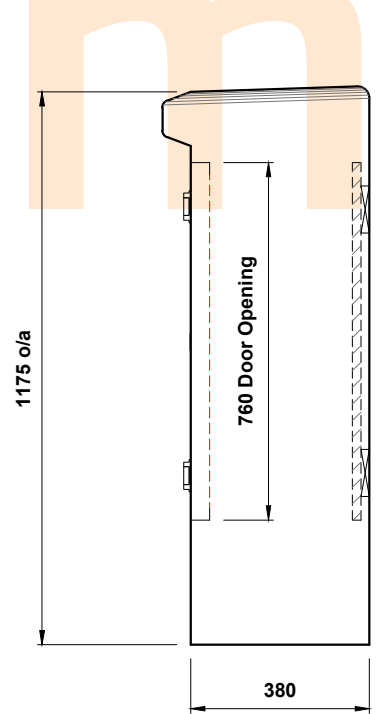
Elevation (B) (rear)



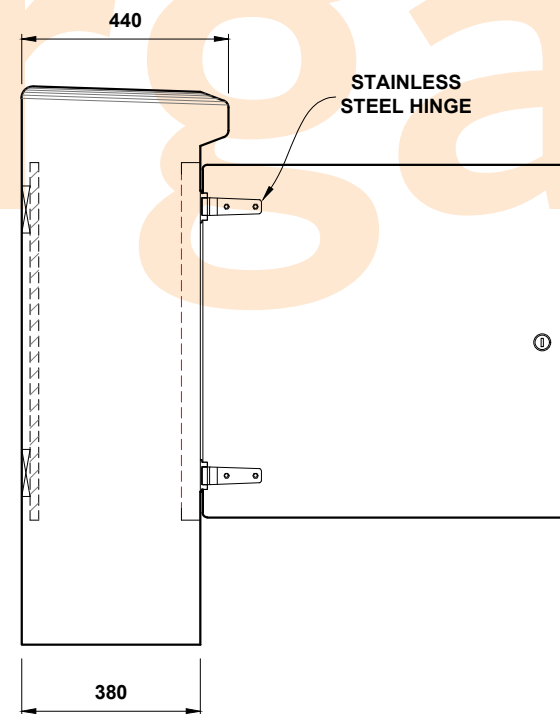
Elevation (C) (l/h side)



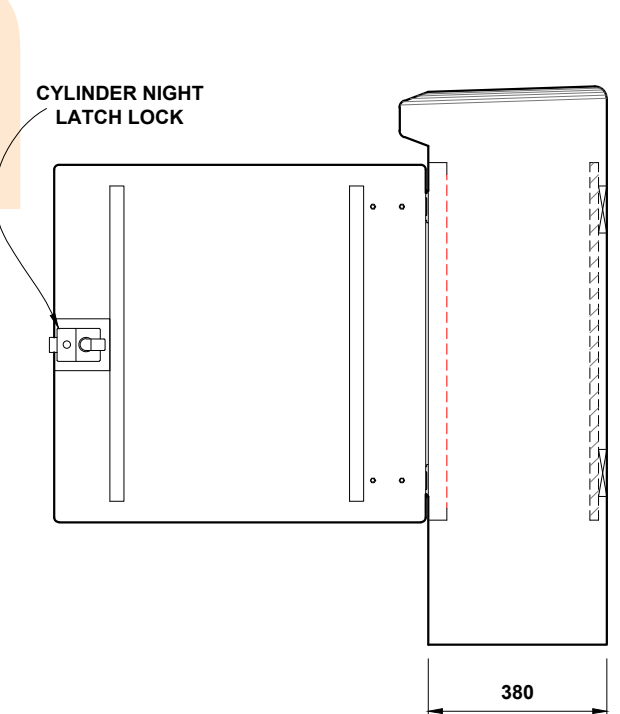
Elevation (D) (r/h side)



Elevation (C) (l/h side) Door Open



Elevation (D) (r/h side) Door Open



Morgan Marine Limited

Tel : 01269 850437
Cilyrychen Industrial Estate, Llandybie,
Ammanford, SA18 3GY

INTERNAL WIDTH : 890mm

INTERNAL DEPTH : 280mm

INTERNAL HEIGHT : 1135mm

APPROX. WEIGHT : 50kg

Date : 14/05/2021

Drawn By : D O'Malley

GRP HOUSING : ROADSIDE RANGE TYPE R

Drawing Scale : Not To Scale

Drawing No : TYPE R

Rev :