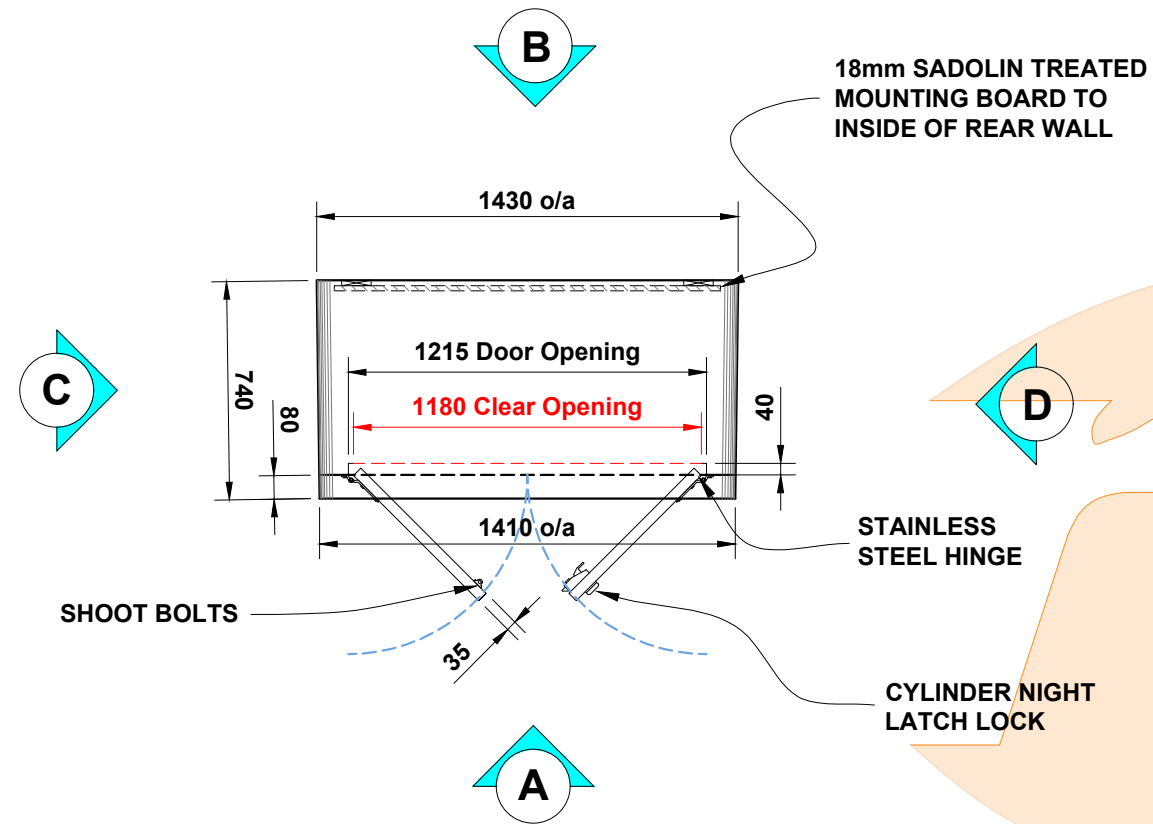
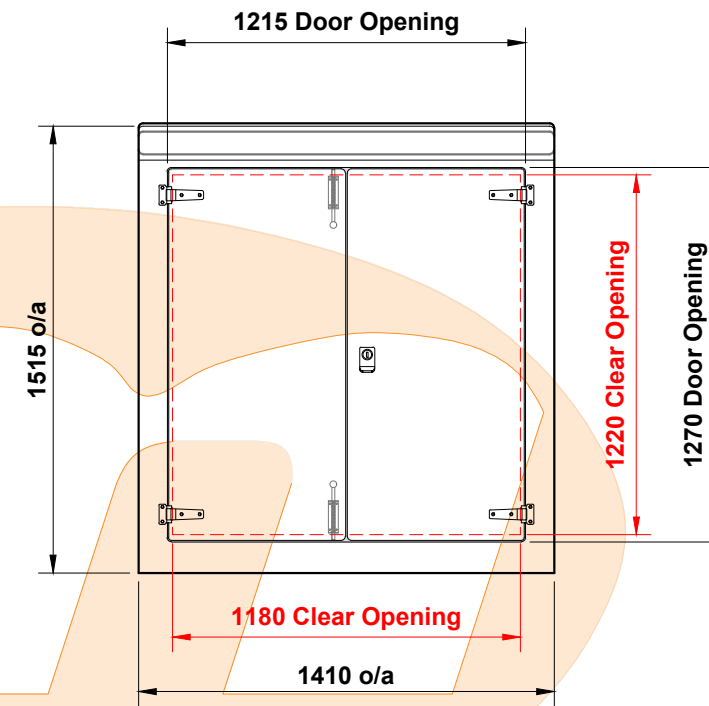


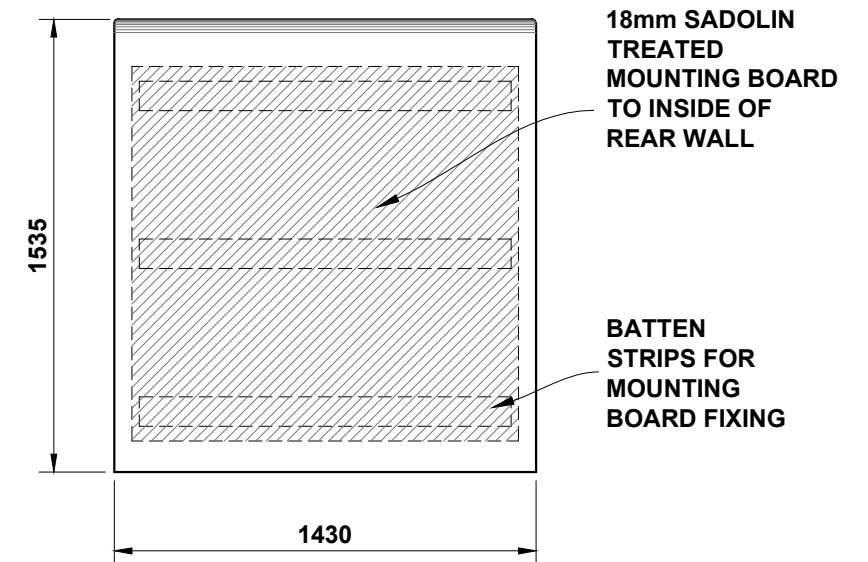
Plan View Elevation - Roadside Range Type J



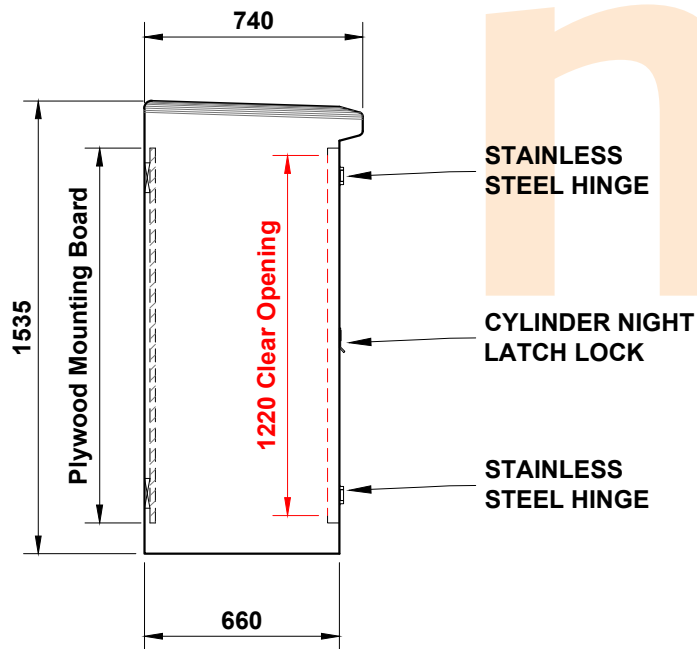
Elevation (A) (front)



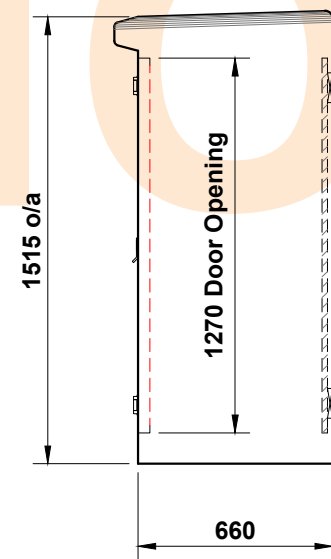
Elevation (B) (rear)



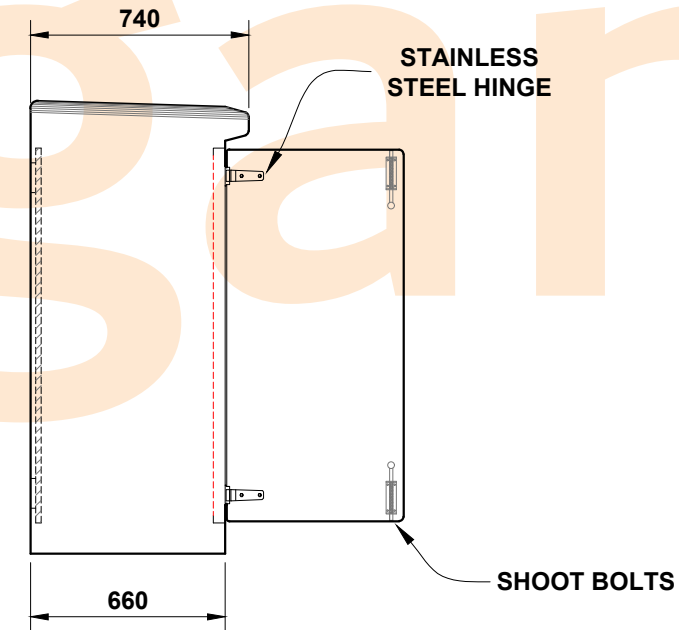
Elevation (C) (l/h side)



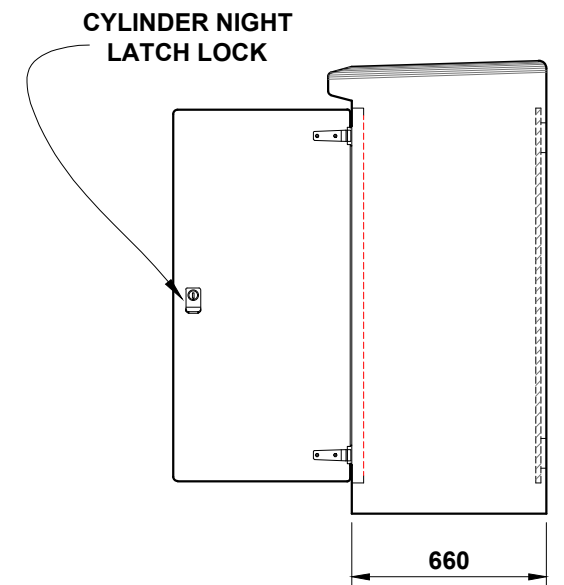
Elevation (D) (r/h side)



Elevation (C) (l/h side) Door Open



Elevation (D) (r/h side) Door Open



Morgan Marine Limited

Tel : 01269 850437

Cilyrychen Industrial Estate, Llandybie,
Ammanford, SA18 3GY

INTERNAL WIDTH : 1390mm

INTERNAL DEPTH : 605mm

INTERNAL HEIGHT : 1465mm

APPROX. WEIGHT : 95kg

Date : 14/05/2021

Drawn By : D O'Malley

GRP HOUSING : ROADSIDE RANGE TYPE J

Drawing Scale : Not To Scale

Drawing No : TYPE J

Rev :