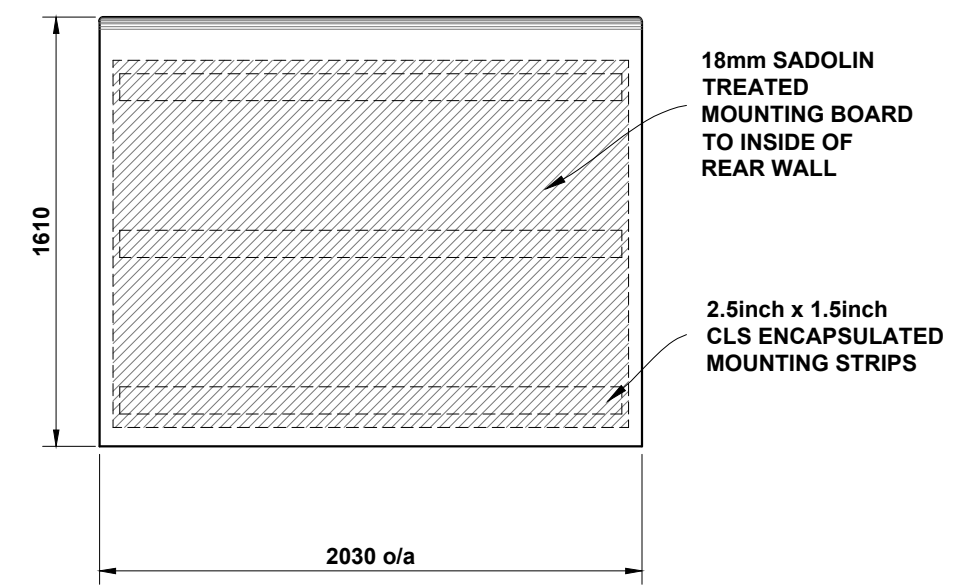
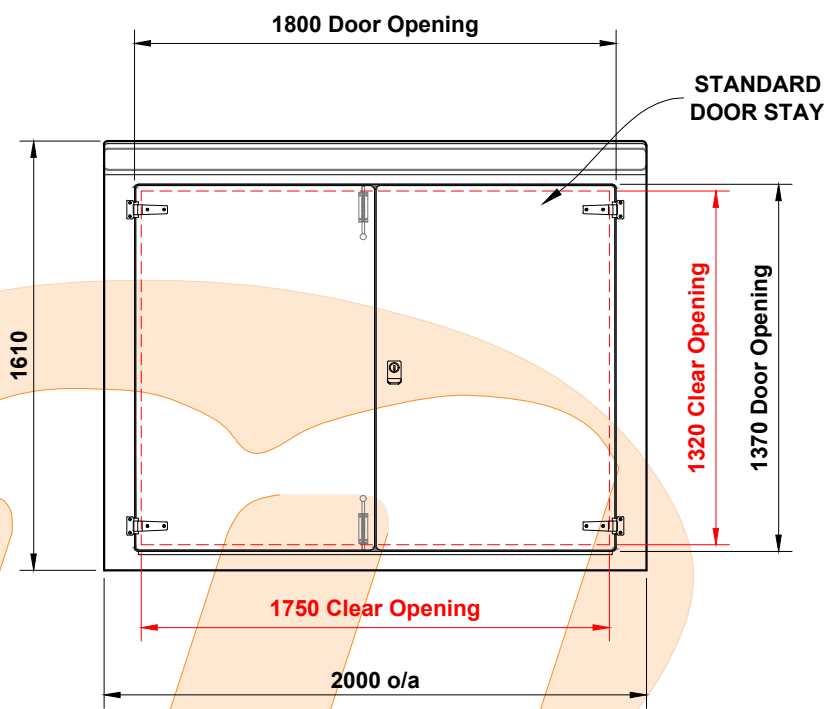
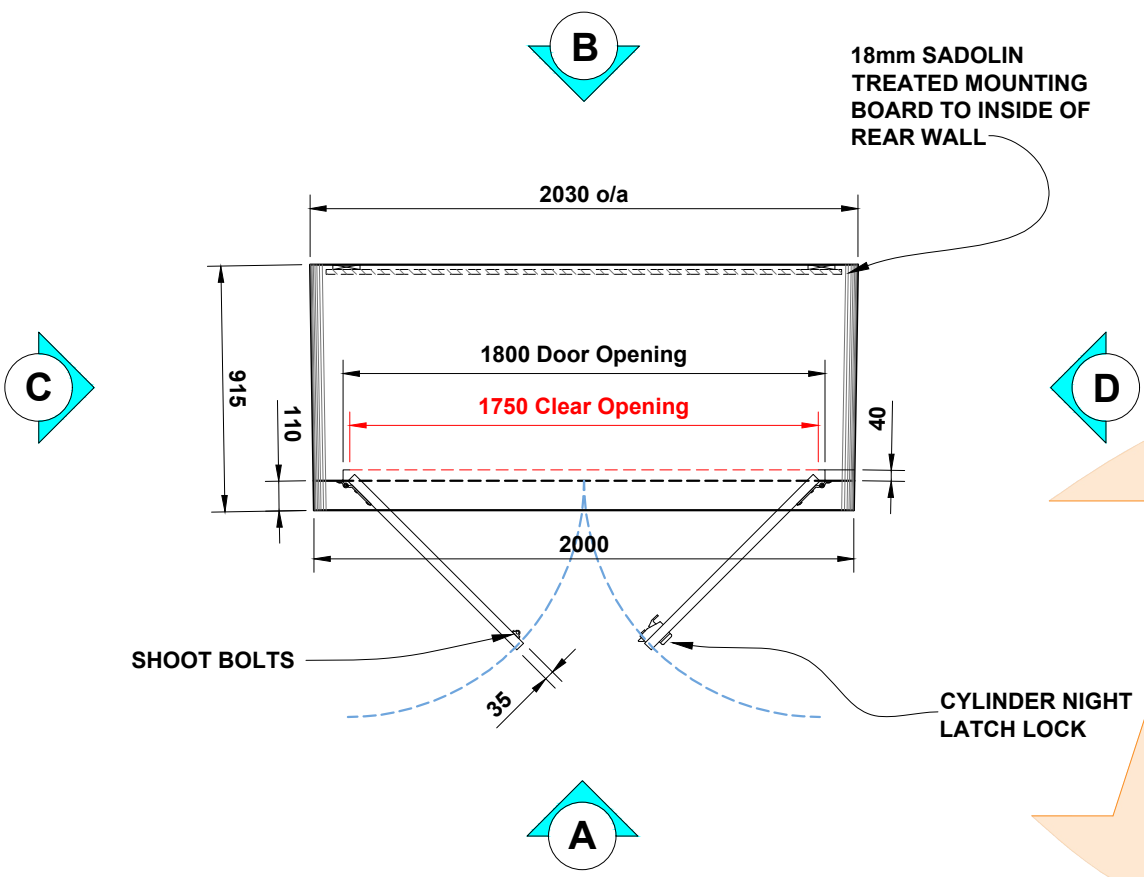


Plan View Elevation - Roadside Range Type G

Elevation (A) (front)

Elevation (B) (rear)

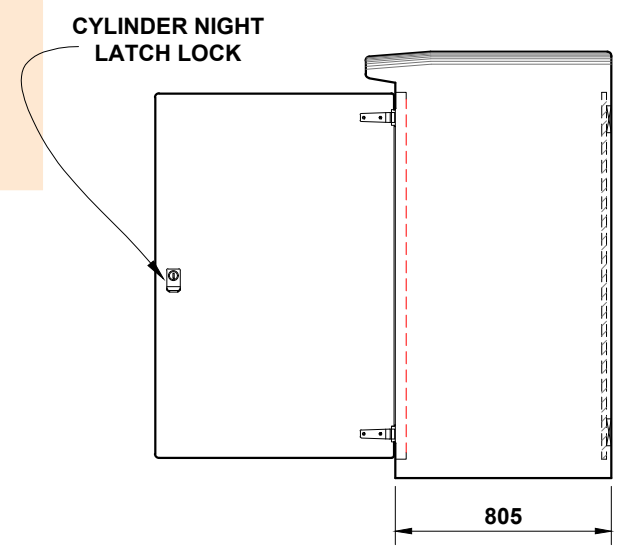
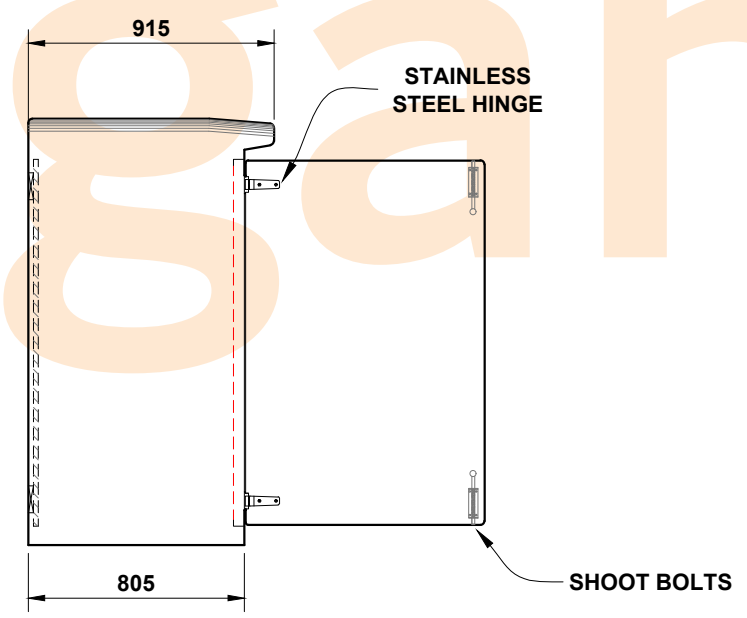
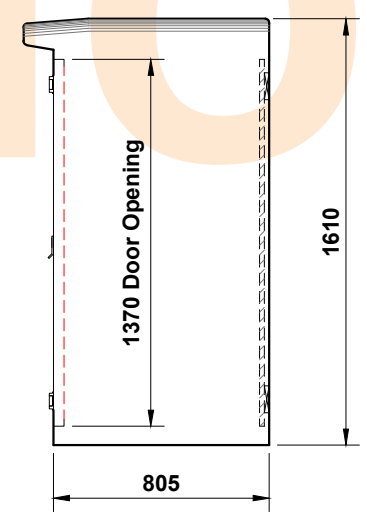
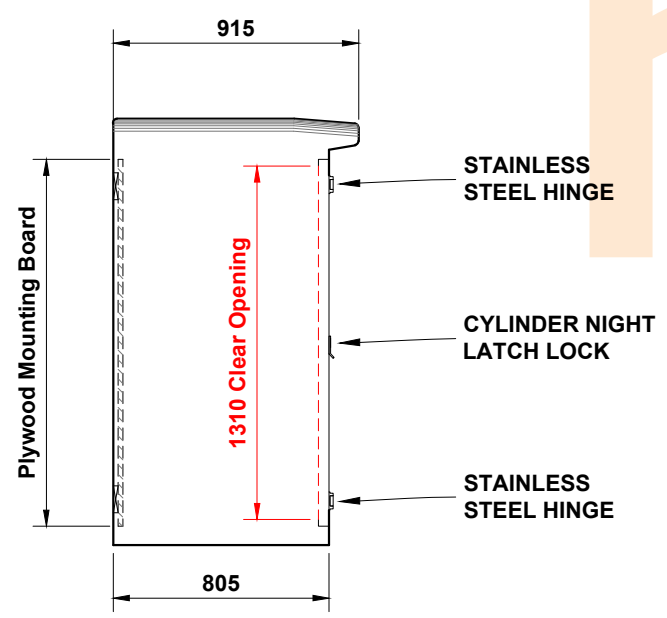


Elevation (C) (l/h side)

Elevation (D) (r/h side)

Elevation (C) (l/h side) Door Open

Elevation (D) (r/h side) Door Open



Morgan Marine Limited
 Tel : 01269 850437
 Cilrychen Industrial Estate, Llandybie,
 Ammanford, SA18 3GY

INTERNAL WIDTH : 1980mm
INTERNAL DEPTH : 740mm
INTERNAL HEIGHT : 1540mm

APPROX. WEIGHT : 250kg
Date : 14/05/2021
Drawn By : D O'Malley

GRP HOUSING : ROADSIDE RANGE TYPE G
Drawing Scale : Not To Scale
Drawing No : TYPE G
Rev :