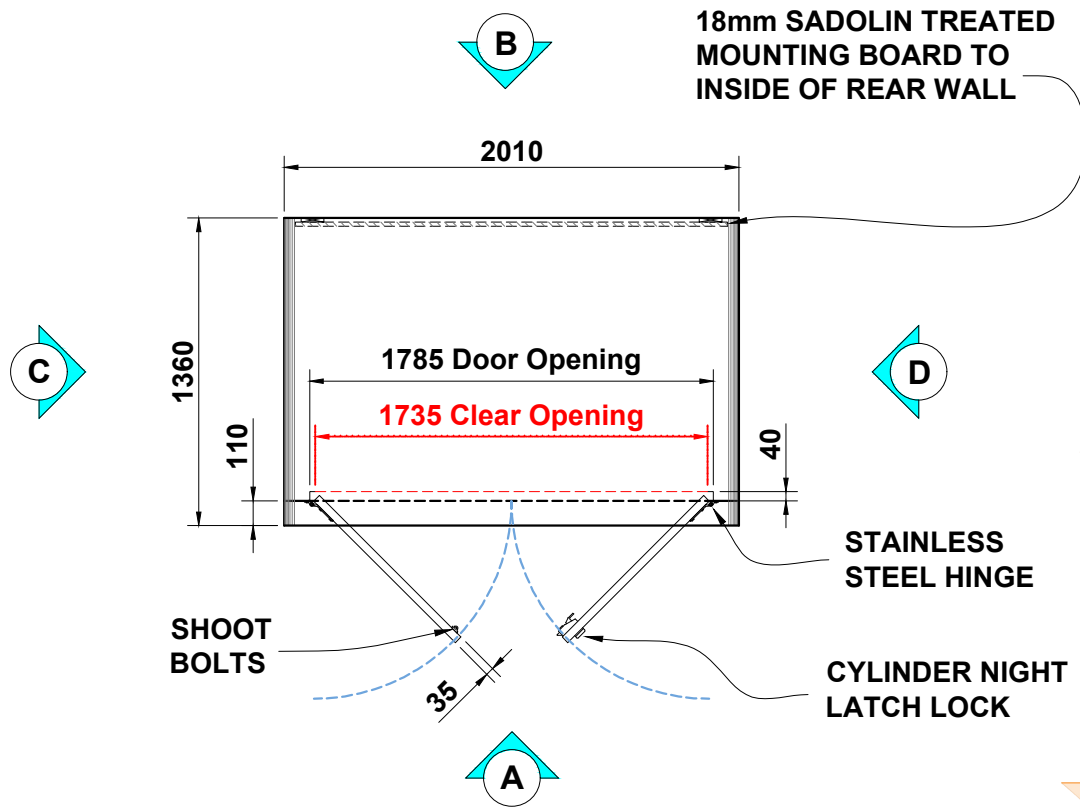
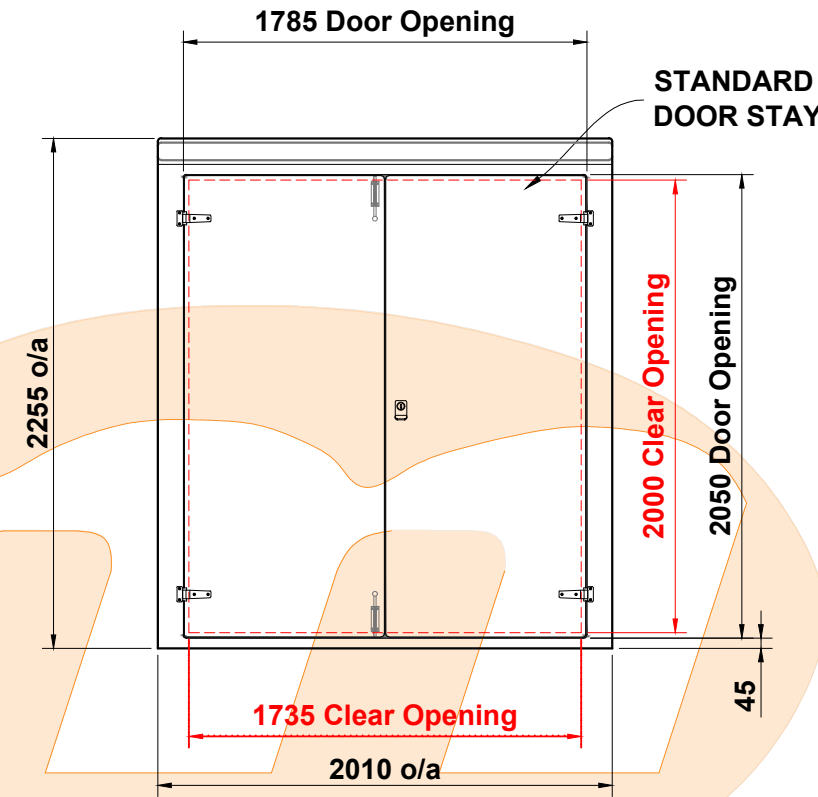


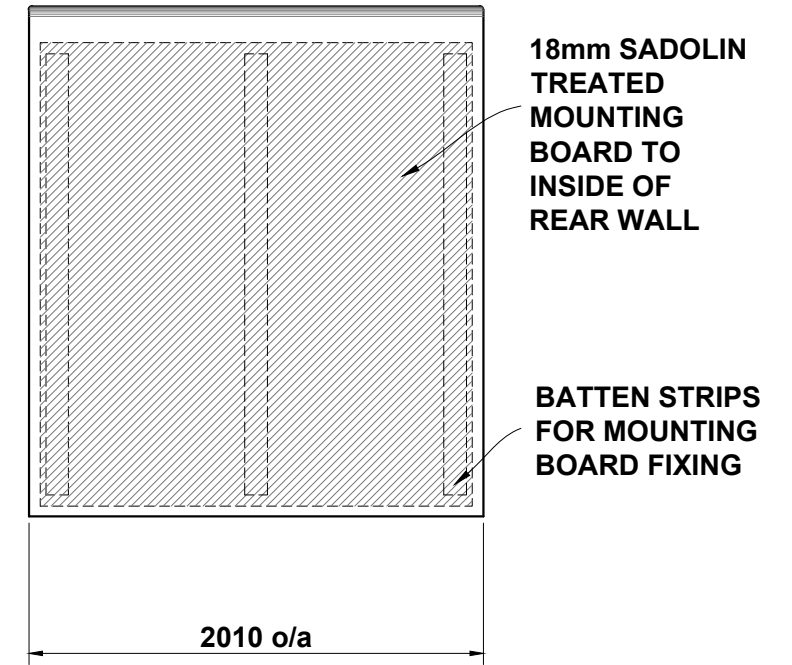
Plan View Elevation - Roadside Range Type F



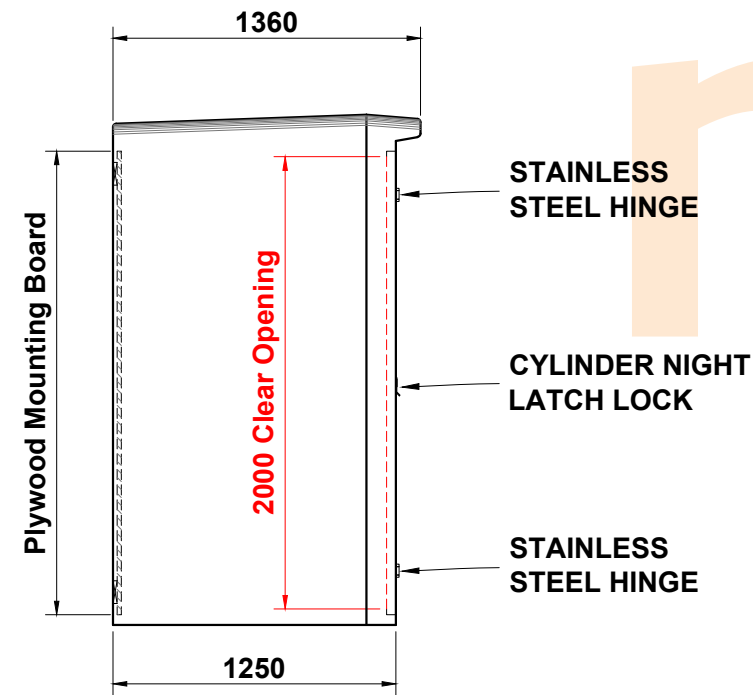
Elevation (A) (front)



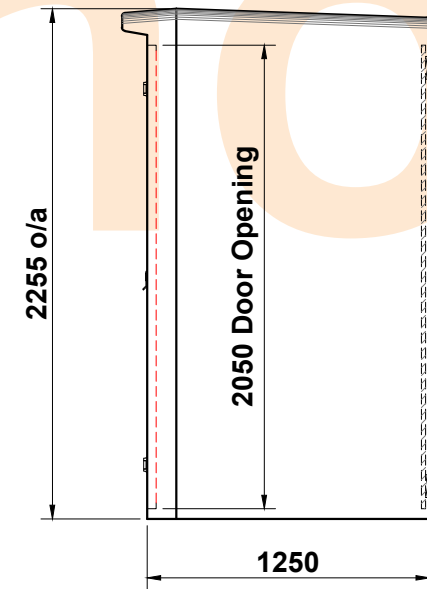
Elevation (B) (rear)



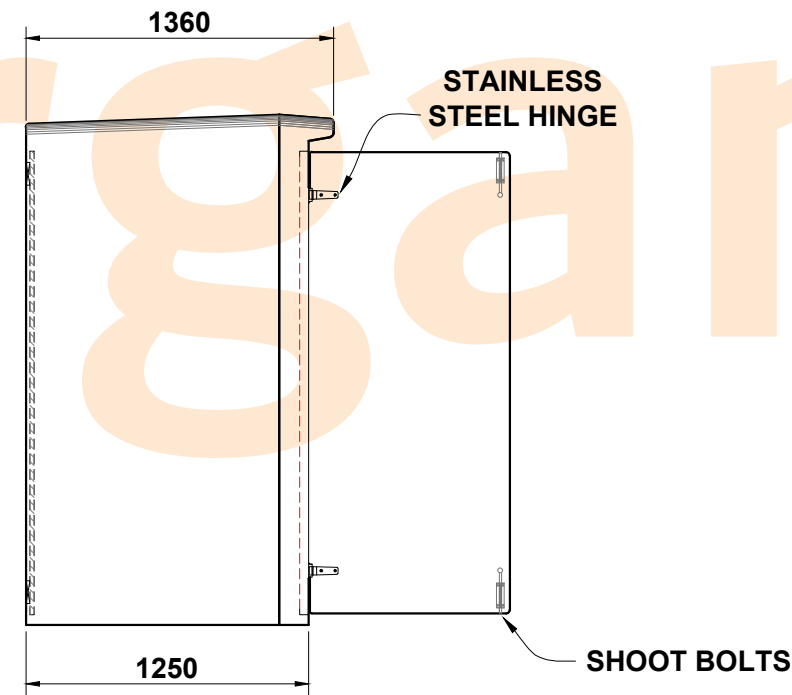
Elevation (C) (l/h side)



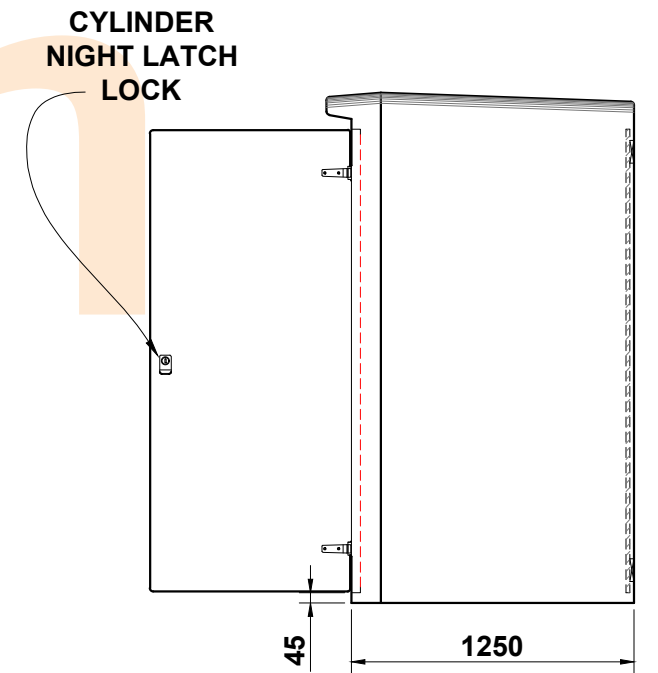
Elevation (D) (r/h side)



Elevation (C) (l/h side) Door Open



Elevation (D) (r/h side) Door Open



Morgan Marine Limited

Tel : 01269 850437
Cilyrychen Industrial Estate, Llandybie,
Ammanford, SA18 3GY

INTERNAL WIDTH : 1980mm

INTERNAL DEPTH : 1180mm

INTERNAL HEIGHT : 2215mm

APPROX. WEIGHT : 400kg

Date : 07/01/2022

Drawn By : K.McCullar

GRP HOUSING : ROADSIDE RANGE TYPE F

Drawing Scale : Not To Scale

Drawing No : TYPE F

Rev :B