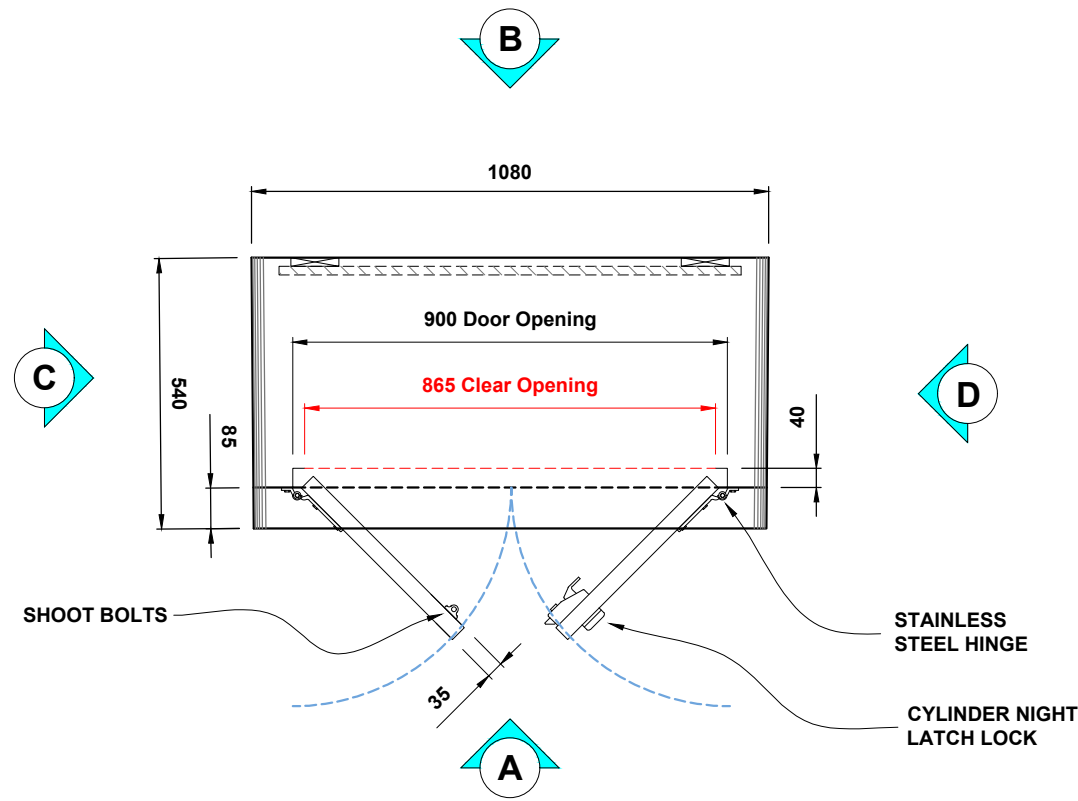
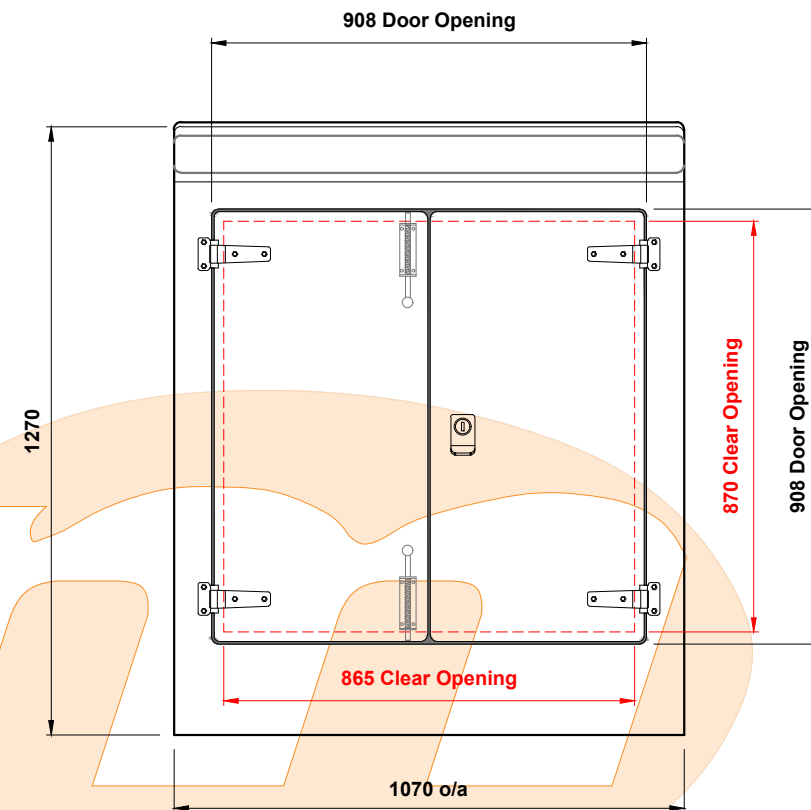


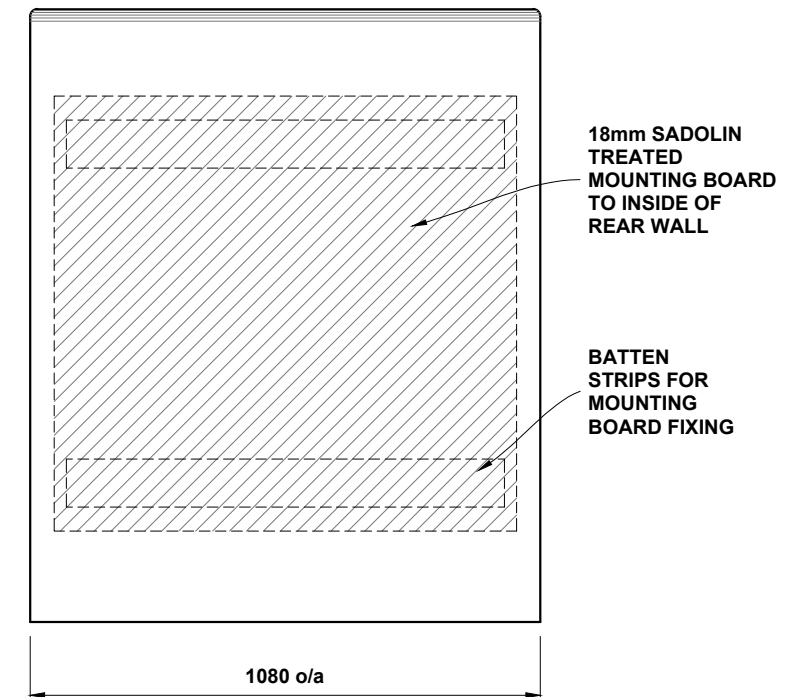
Plan View Elevation - Roadside Range Type E6



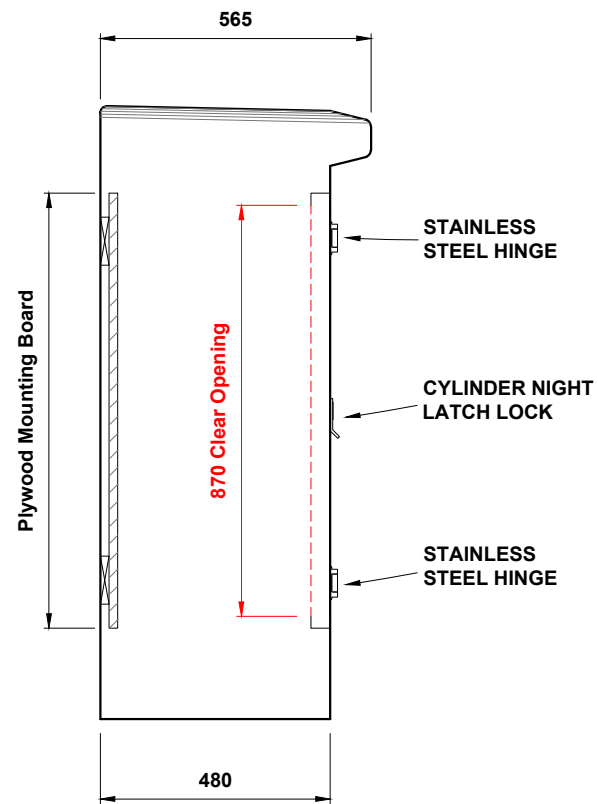
Elevation (A) (front)



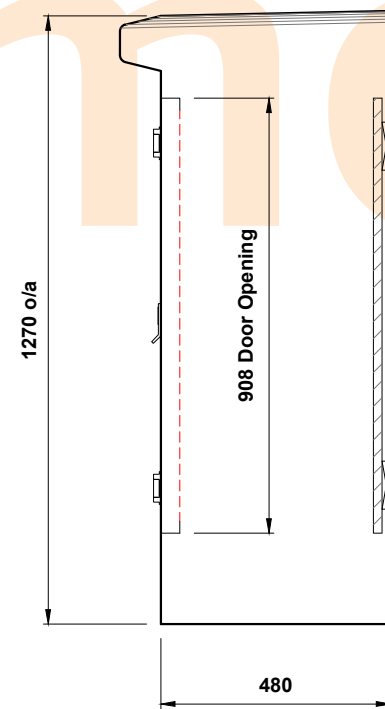
Elevation (B) (rear)



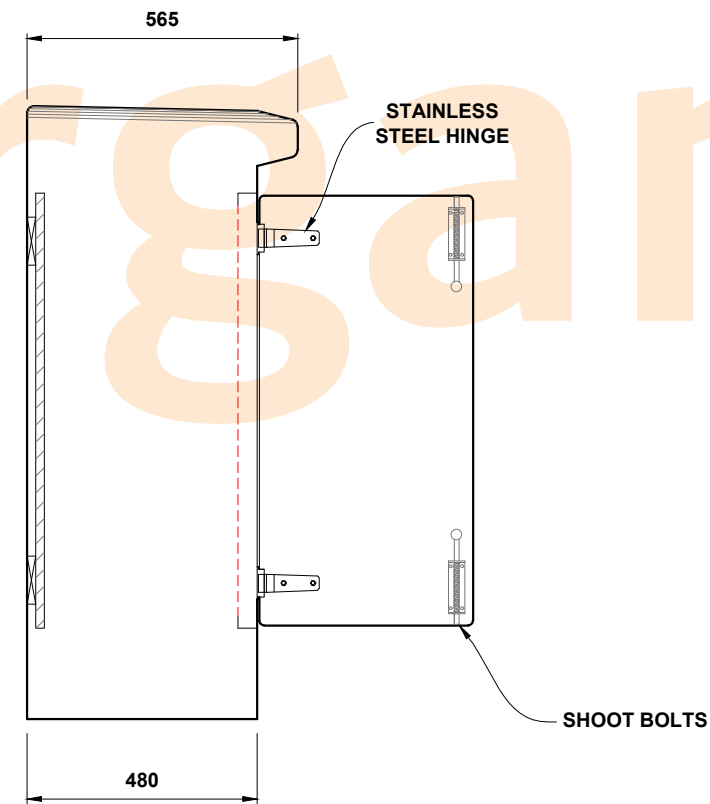
Elevation (C) (l/h side)



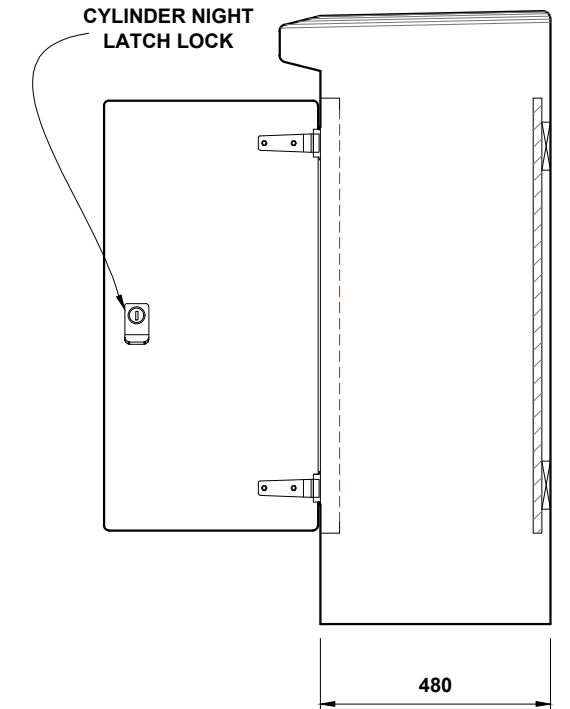
Elevation (D) (r/h side)



Elevation (C) (l/h side) Door Open



Elevation (D) (r/h side) Door Open



Morgan Marine Limited

Tel : 01269 850437

Cilyrychen Industrial Estate, Llandybie, Ammanford, SA18 3GY

THE DRAWING AND DESIGN IS THE PROPERTY OF MORGAN MARINE LTD. AND WITHOUT THE WRITTEN CONSENT OF MORGAN MARINE LTD. MAY NOT BE COPIED IN WHOLE OR IN PART OR COMMUNICATED TO A THIRD PARTY OR USED FOR ANY PURPOSE.

INTERNAL WIDTH : 1010mm

APPROX. WEIGHT : 70kg

GRP HOUSING : ROADSIDE RANGE TYPE E6

INTERNAL DEPTH : 420mm

Date : 18/05/2021

Drawing Scale : Not To Scale

INTERNAL HEIGHT : 1235mm

Drawn By : D O'Malley

Drawing No : TYPE E6

Rev :

