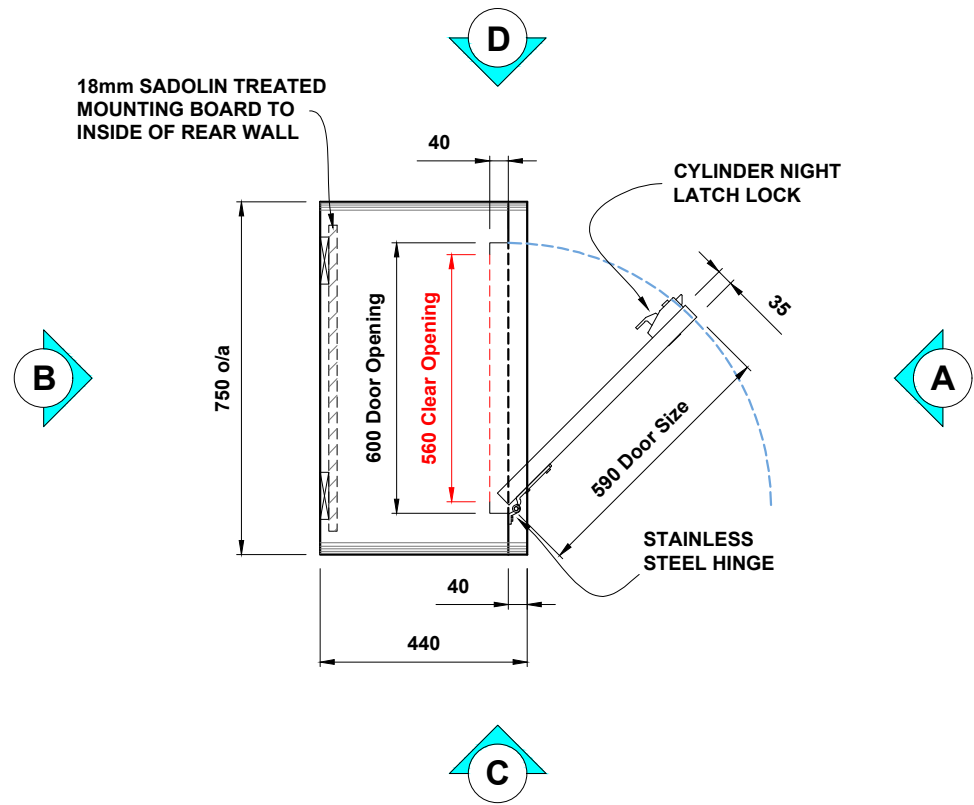
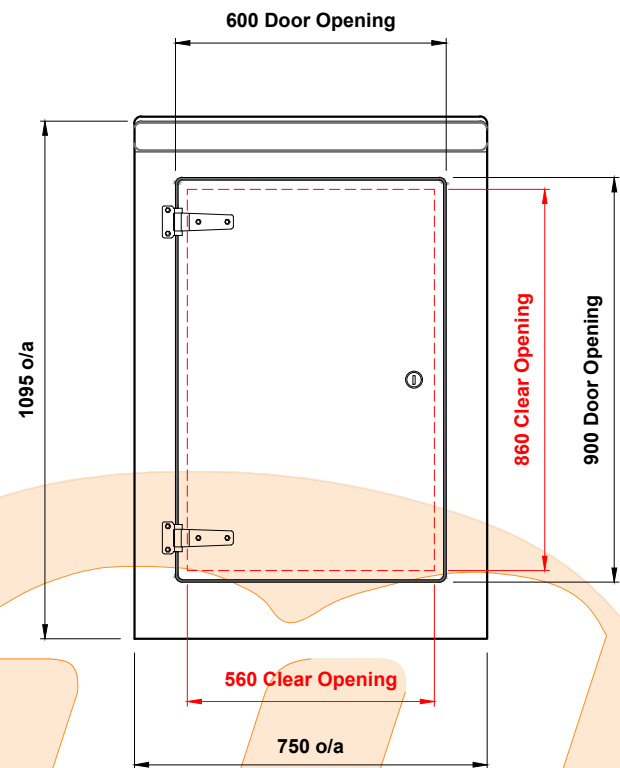


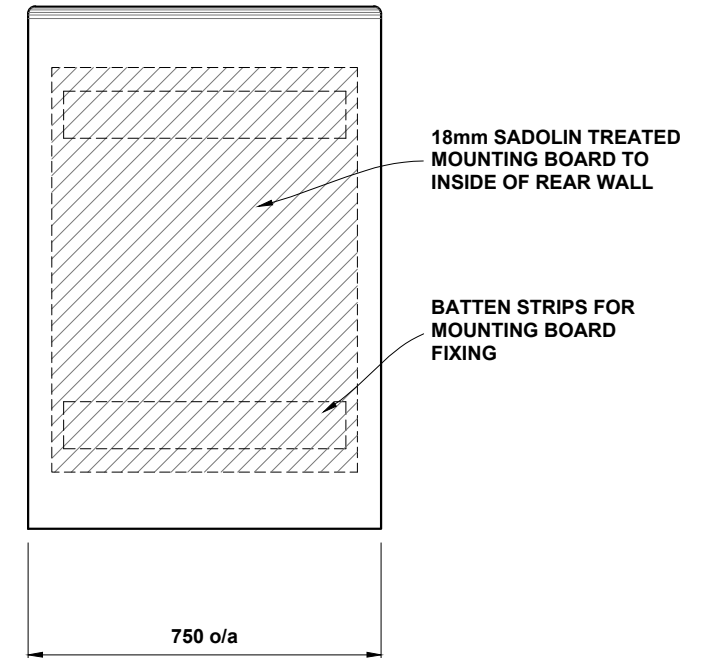
**Plan View Elevation - Roadside Range Type E4**



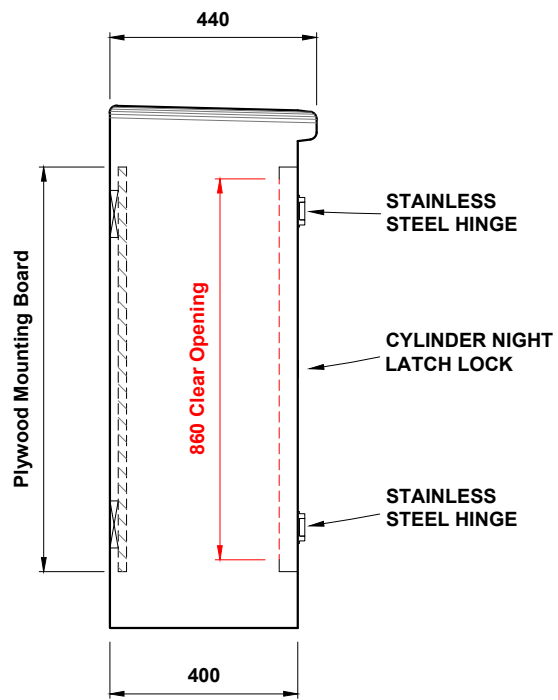
**Elevation (A) (front)**



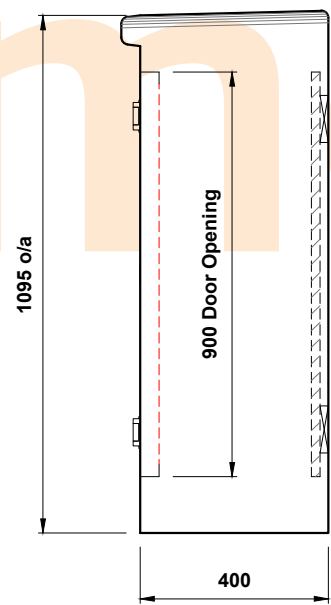
**Elevation (B) (rear)**



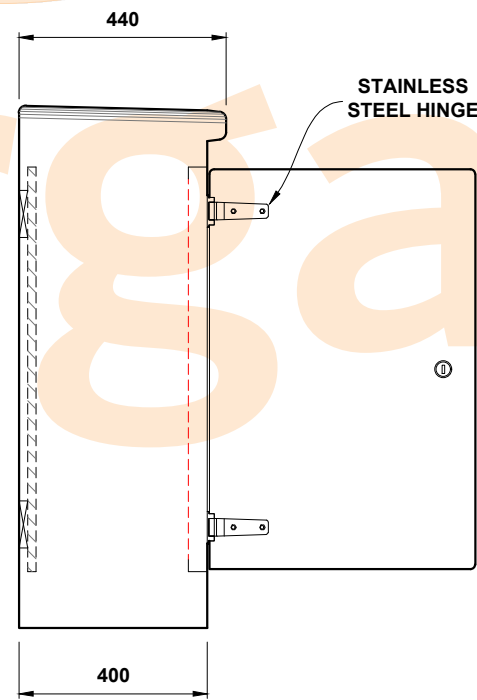
**Elevation (C) (l/h side)**



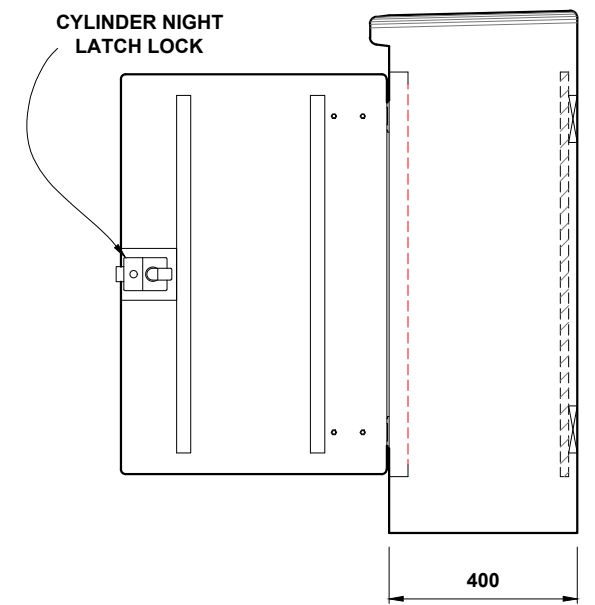
**Elevation (D) (r/h side)**



**Elevation (C) (l/h side) Door Open**



**Elevation (D) (r/h side) Door Open**



**Morgan Marine Limited**

Tel : 01269 850437

Cilrychen Industrial Estate, Llandybie,  
Ammanford, SA18 3GY

INTERNAL WIDTH : 730mm

INTERNAL DEPTH : 310mm

INTERNAL HEIGHT : 1080mm

APPROX. WEIGHT : 20kg

Date : 14/05/2021

Drawn By : D O'Malley

GRP HOUSING : ROADSIDE RANGE TYPE E4

Drawing Scale : Not To Scale

Drawing No : TYPE E4

Rev :