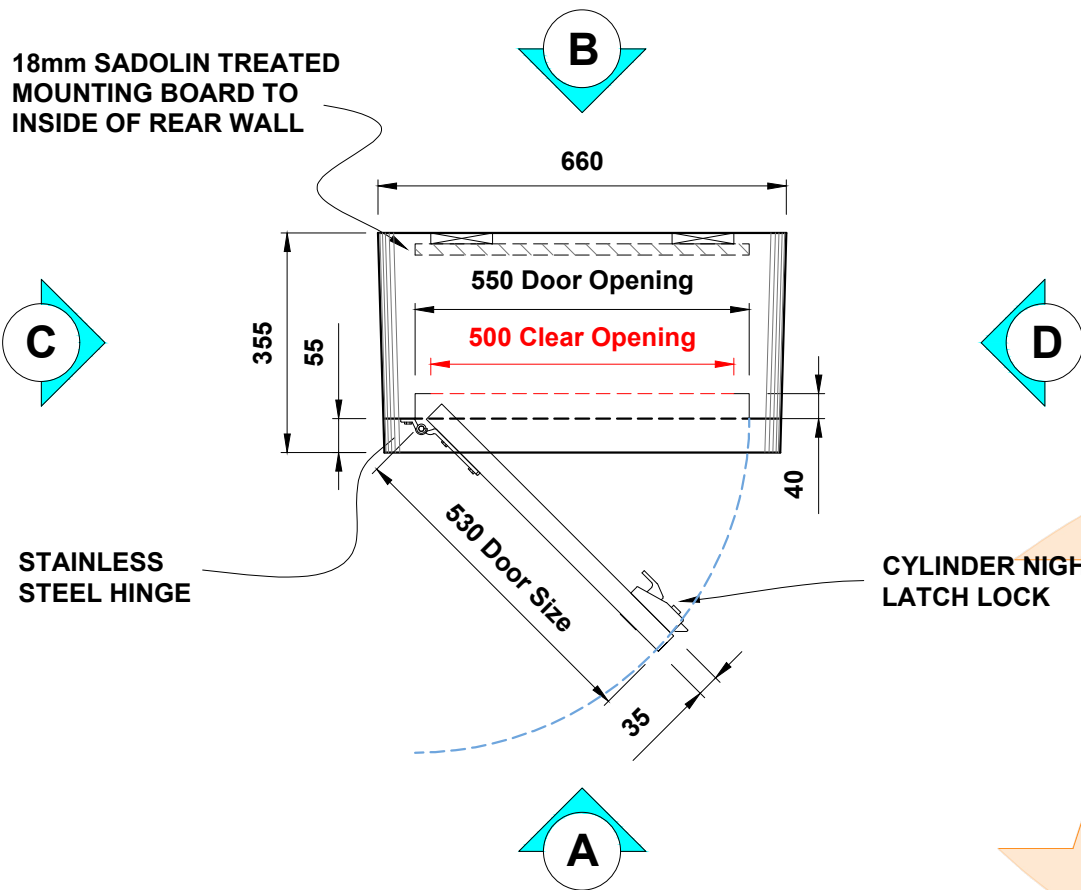
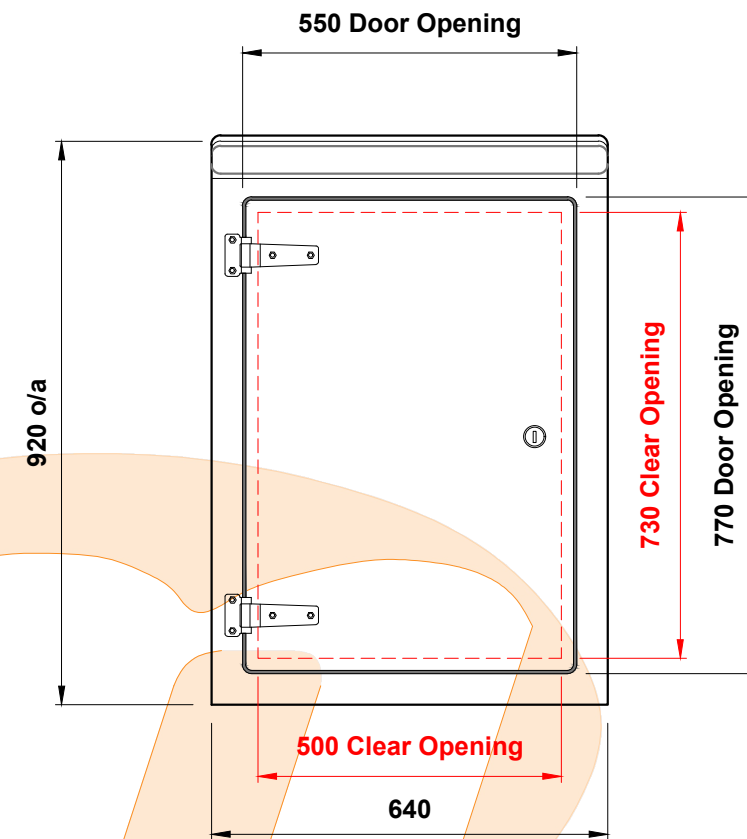


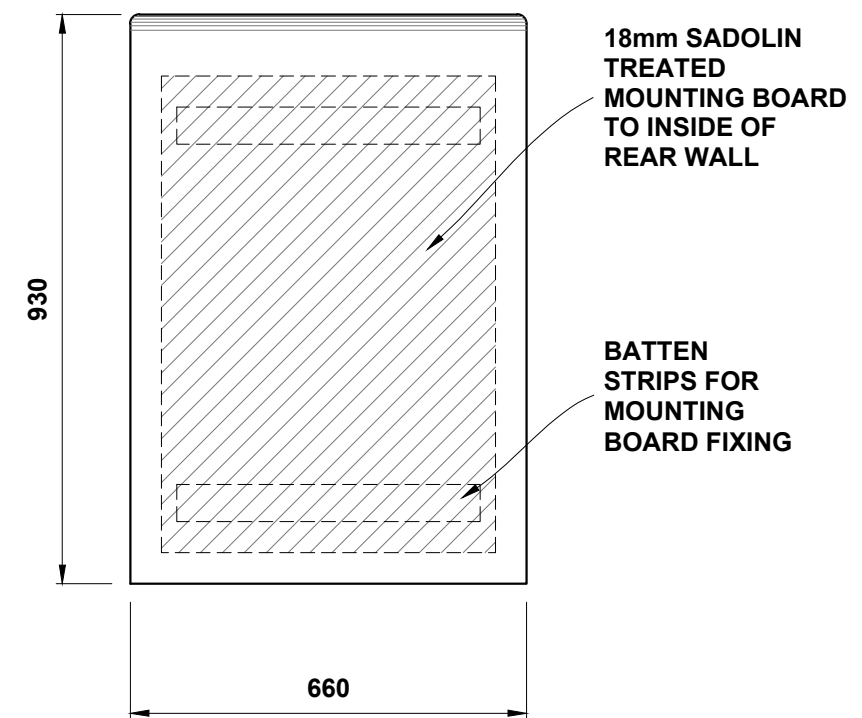
# Plan View Elevation - Roadside Range Torbette



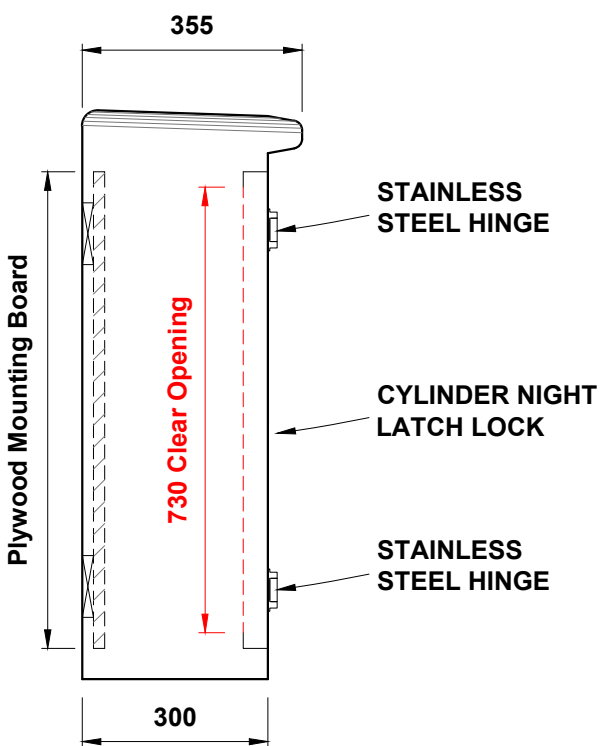
# Elevation (A) (front)



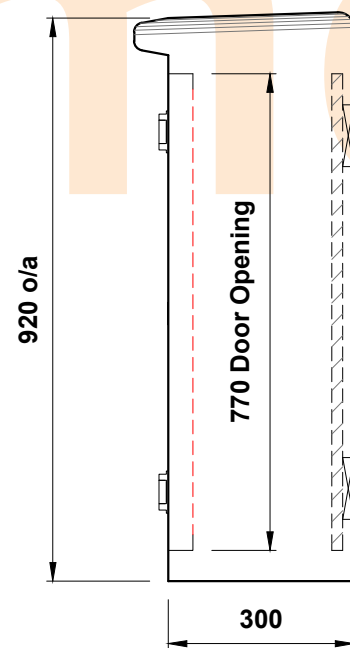
# Elevation (B) (rear)



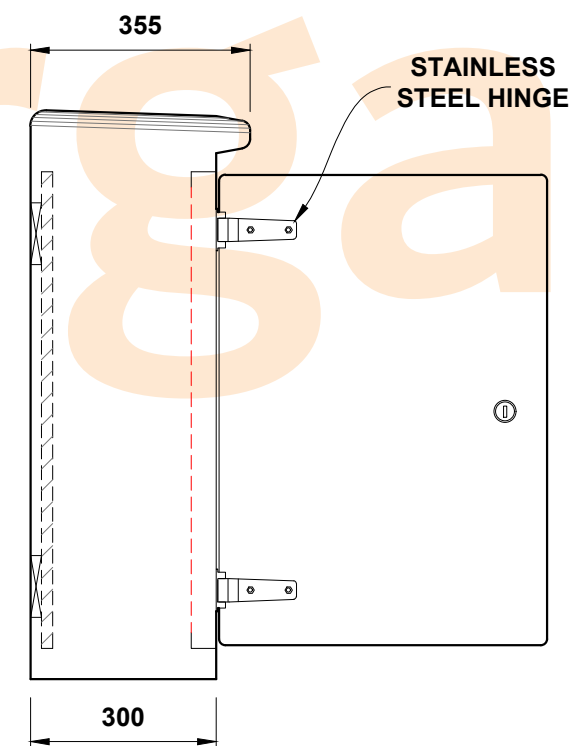
# Elevation (C) (l/h side)



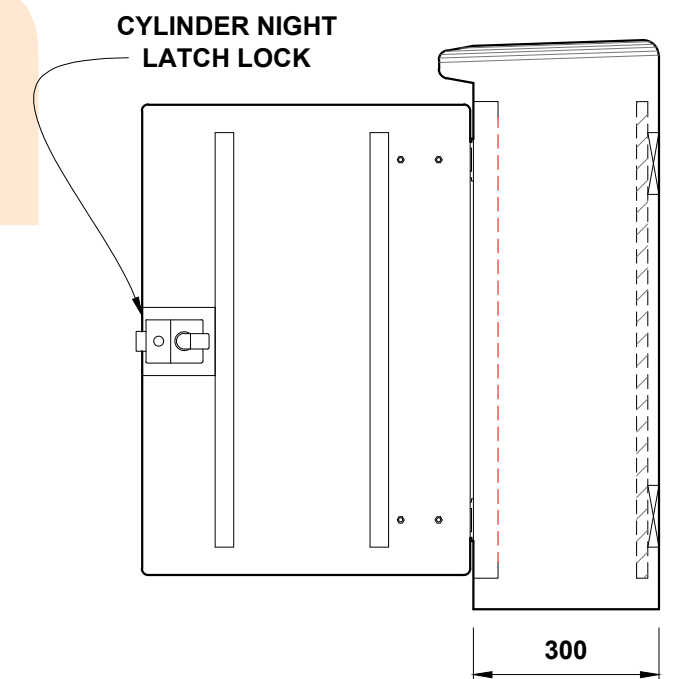
# Elevation (D) (r/h side)



# Elevation (C) (l/h side) Door Open



# Elevation (D) (r/h side) Door Open



**Morgan Marine Limited**  
 Tel : 01269 850437  
 Cilrychen Industrial Estate, Llandybie,  
 Ammanford, SA18 3GY

INTERNAL WIDTH : 630mm

APPROX. WEIGHT : 28kg

GRP HOUSING : ROADSIDE RANGE TORBETTE

INTERNAL DEPTH : 250mm

Date : 14/05/2021

Drawing Scale : Not To Scale

INTERNAL HEIGHT : 870mm

Drawn By : D O'Malley

Drawing No : TORBETTE

Rev :