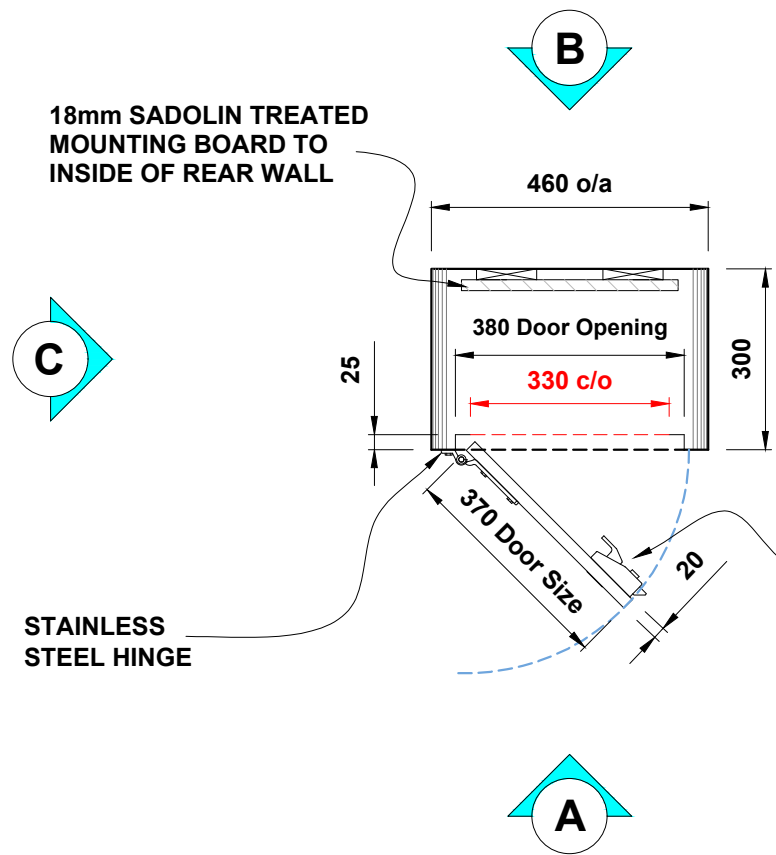


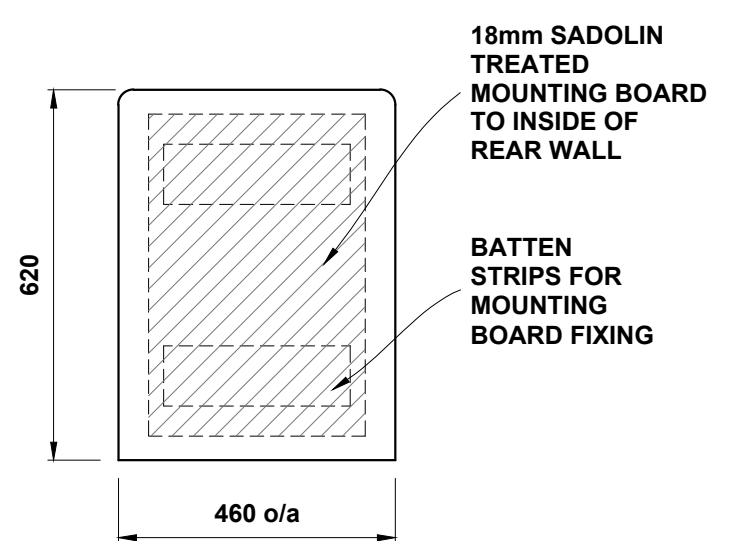
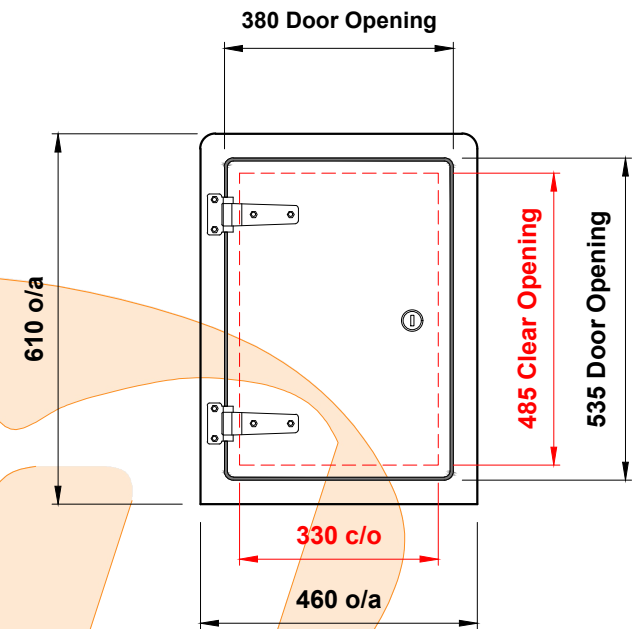
Plan View Elevation - Roadside Range Meter Cabinet

Elevation (A) (front)

Elevation (B) (rear)



CYLINDER NIGHT LATCH LOCK

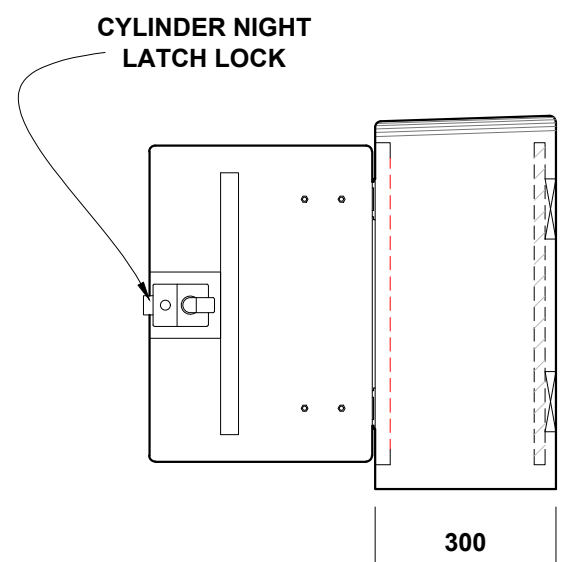
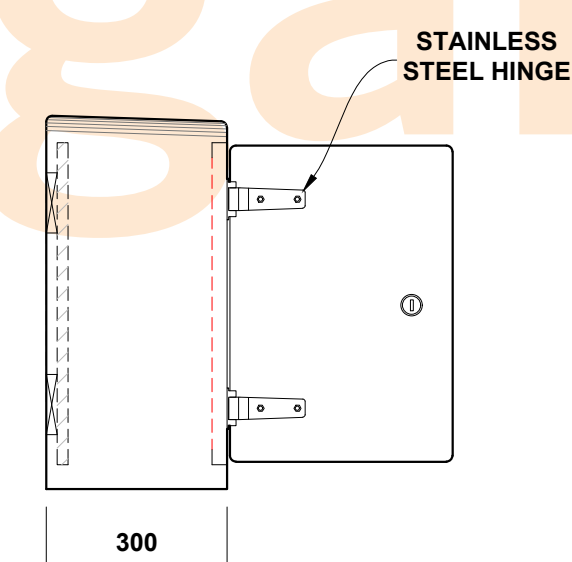
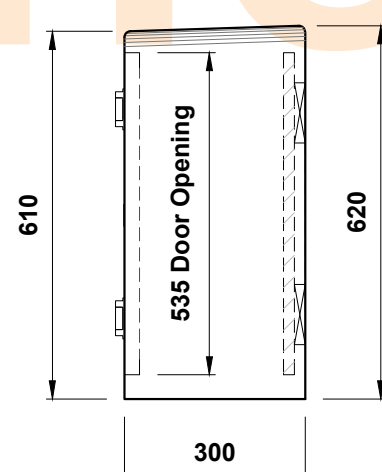
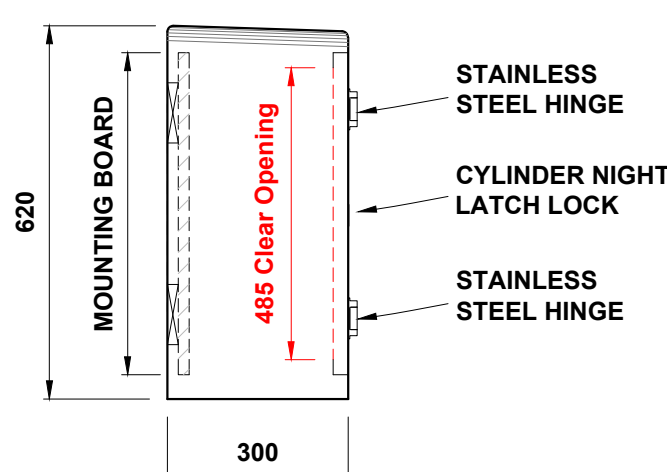


Elevation (C) (l/h side)

Elevation (D) (r/h side)

Elevation (C) (l/h side) Door Open

Elevation (D) (r/h side) Door Open



Morgan Marine Limited
 Tel : 01269 850437
 Cilrychen Industrial Estate, Llandybie,
 Ammanford, SA18 3GY

INTERNAL WIDTH : 450mm	APPROX. WEIGHT : 13kg	GRP HOUSING : ROADSIDE RANGE METER CABINET	
INTERNAL DEPTH : 265mm	Date : 14/05/2021	Drawing Scale : Not To Scale	
INTERNAL HEIGHT : 600mm	Drawn By : D O'Malley	Drawing No : METER CABINET	Rev :