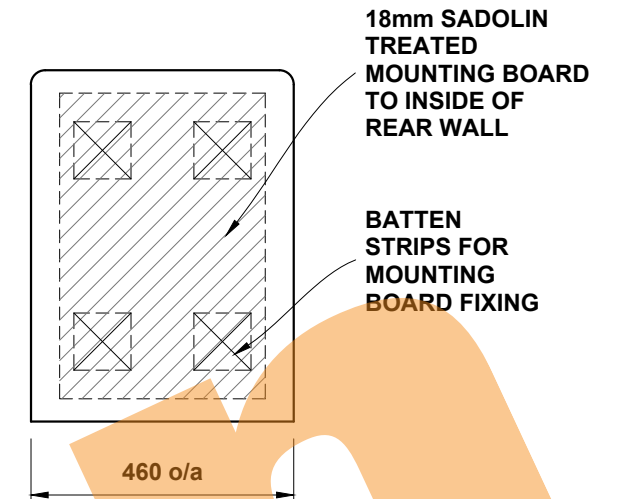
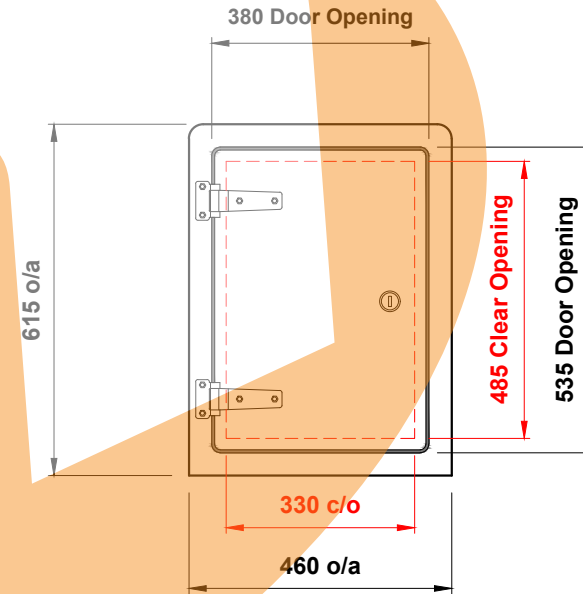
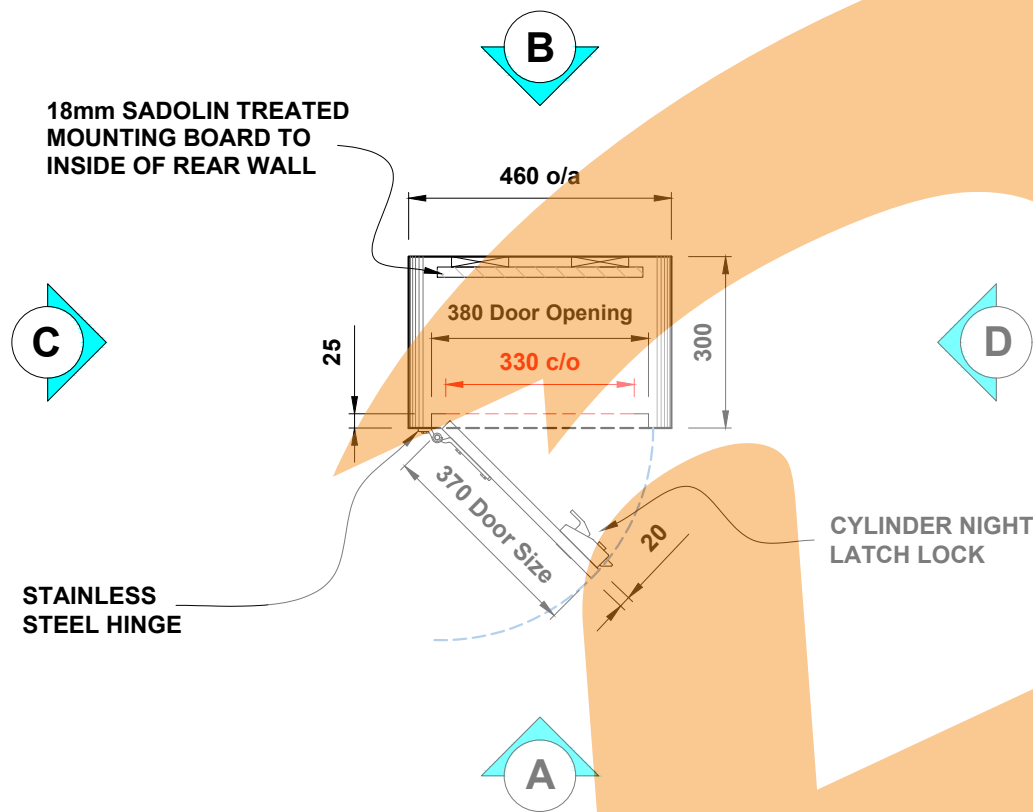


Plan View Elevation - Roadside Range Meter Cabinet

Elevation (A) (front)

Elevation (B) (rear)

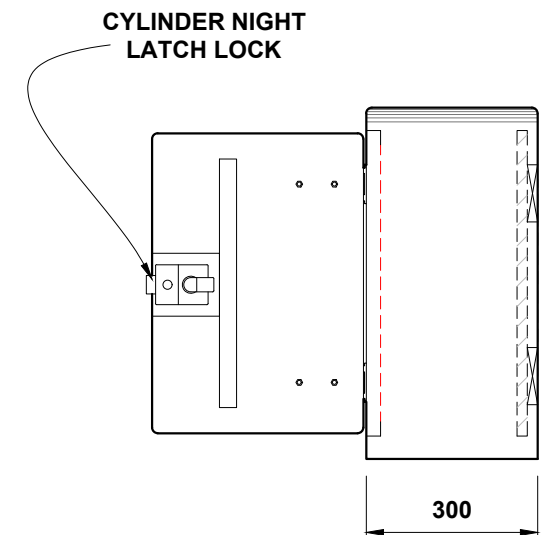
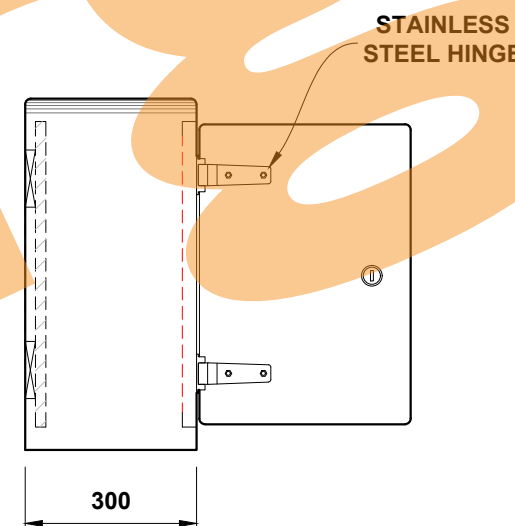
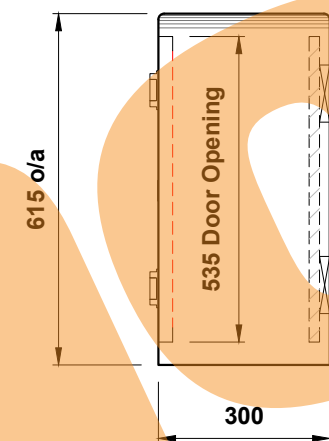
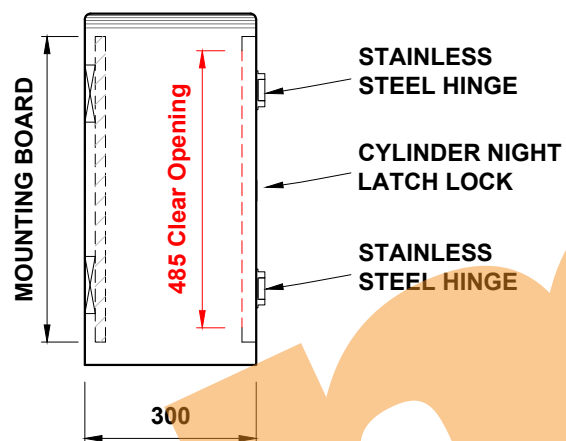


Elevation (C) (l/h side)

Elevation (D) (r/h side)

**Elevation (C) (l/h side)
Door Open**

**Elevation (D) (r/h side)
Door Open**



THE DRAWING AND DESIGN IS THE PROPERTY OF MORGAN MARINE LTD. AND WITHOUT THE WRITTEN CONSENT OF MORGAN MARINE LTD. MAY NOT BE COPIED IN WHOLE OR IN PART OR COMMUNICATED TO A THIRD PARTY OR USED FOR ANY PURPOSE.

Morgan Marine Limited
 Tel : 01269 850437
 Fax : 01269 850656
 Llandybie, Ammanford, Carmarthenshire
 SA18 3GY, South Wales.

INTERNAL WIDTH : 450mm

APPROX. WEIGHT : 13kg

GRP HOUSING : ROADSIDE RANGE METER CABINET

INTERNAL DEPTH : 265mm

Date : 06/03/2017

Drawing Scale : Not To Scale

INTERNAL HEIGHT : 600mm

Drawn By : D O'Malley

Drawing No : METER CABINET

Rev :