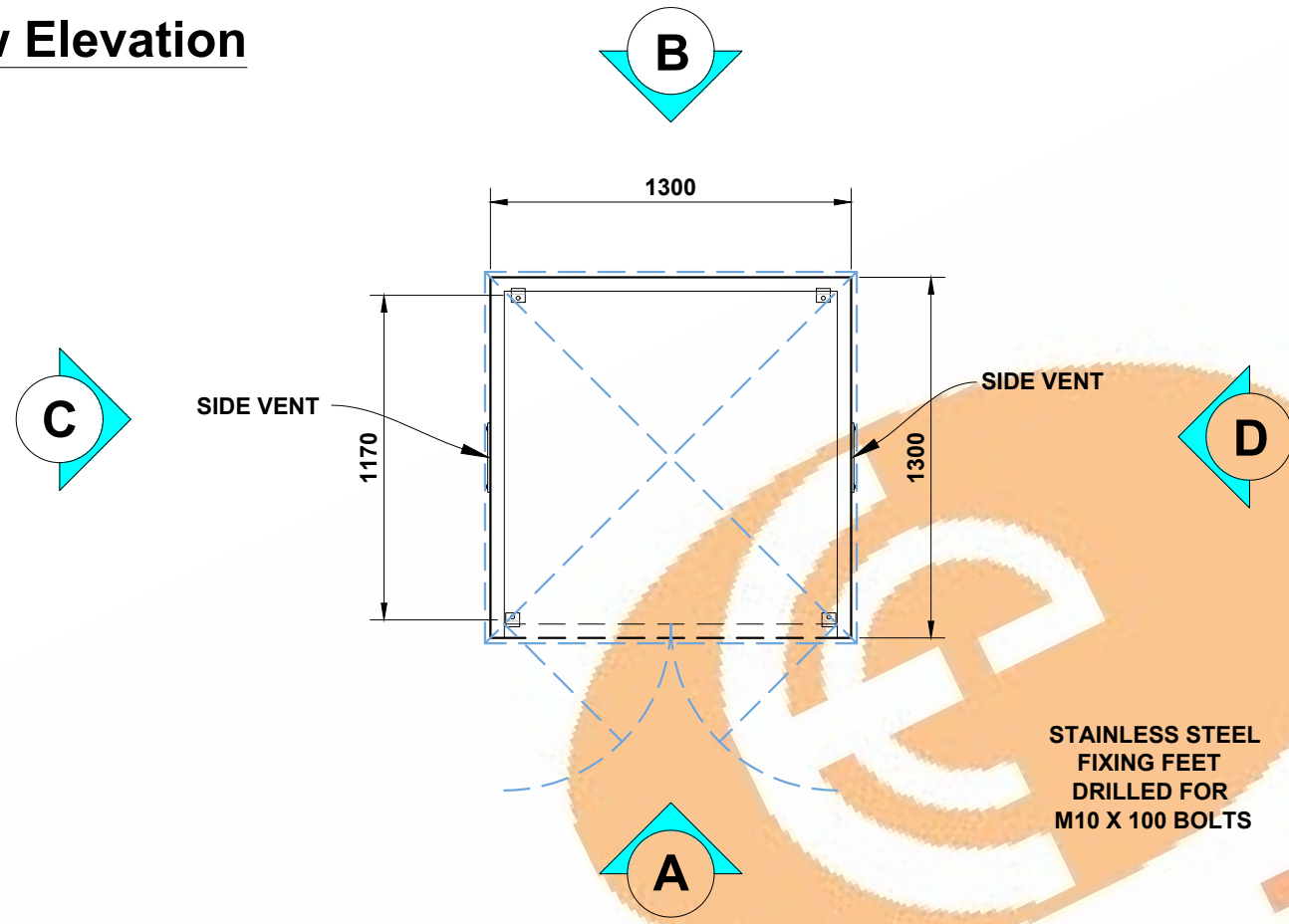
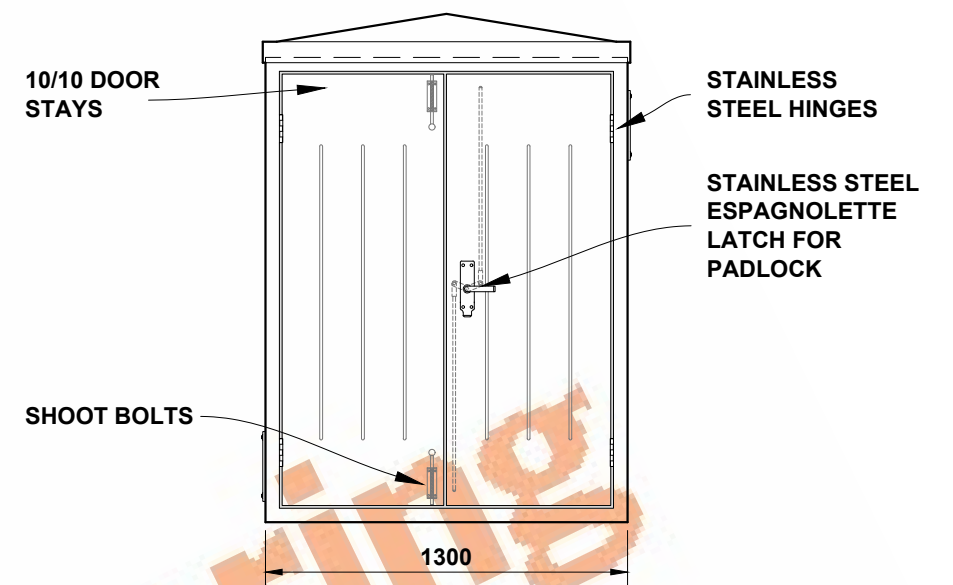


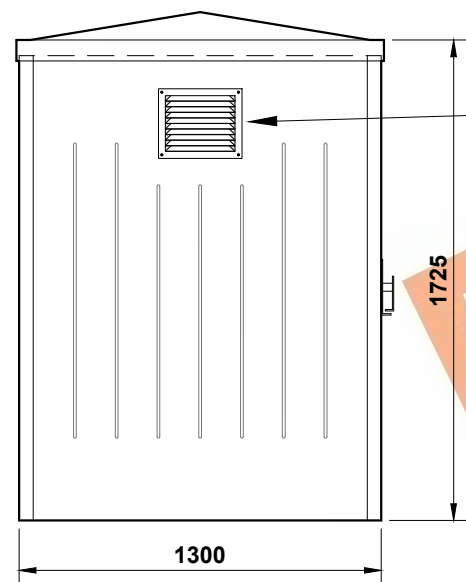
**Plan View Elevation**



**Elevation (A) (front)**

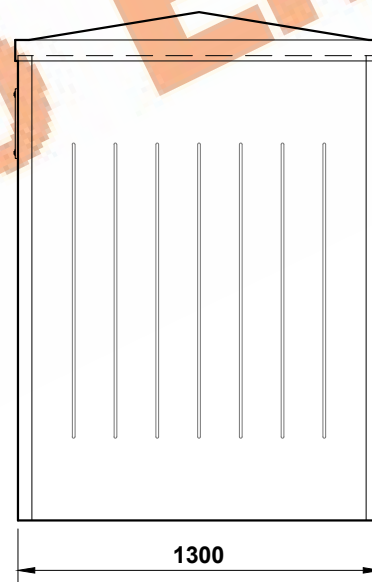


**Elevation (C) (l/h side)**

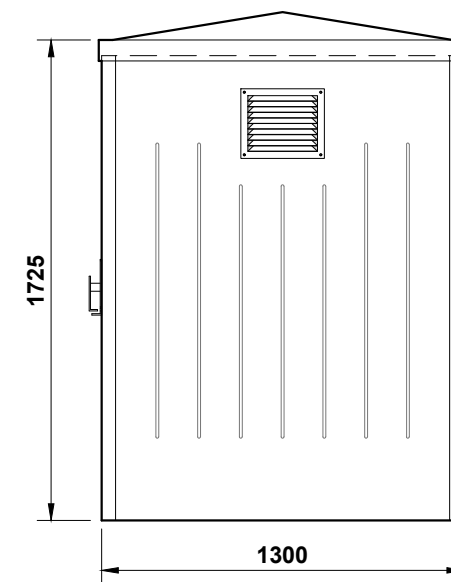


2 OFF GALVANISED STEEL VENT BLOCKS 250 X 200mm TO PROVIDE LOW & HIGH LEVEL VENTILATION (1 EACH SIDE)

**Elevation (B) (rear)**



**Elevation (D) (r/h side)**



THE DRAWING AND DESIGN IS THE PROPERTY OF ENVICO ENGINEERING LTD. AND WITHOUT THE WRITTEN CONSENT OF ENVICO ENGINEERING LTD. MAY NOT BE COPIED IN WHOLE OR IN PART OR COMMUNICATED TO A THIRD PARTY OR USED FOR ANY PURPOSE.

**Envico Engineering Limited**

Tel : 01792 794 619  
Fax : 01792 793 532

Nantffyn Road (South), Enterprise park, Llansamlet  
Swansea, SA7 9RG, South Wales.

INTERNAL WIDTH : 1190mm

INTERNAL DEPTH : 1190mm

INTERNAL HEIGHT : 1725mm

APPROX. WEIGHT : 155kg

Date : 14/02/2017

Drawn By : D O'Malley

GRP HOUSING : TRANSFORMER TR8 TYPE B

Drawing Scale : Not To Scale

Drawing No : TR8 TYPE B

Rev :